

STERISAN - Type A Clinical Basin



SANC610B

GENTEC STERISAN Wall Mounted 610mm Type A Clinical Basin w/ Nano Glazing, No Tap Hole Offset Waste No Overflow

Product Features



- Hygienic concealed fixings
- Unique, rear offset drain to eliminate outlets reaching over waste
- Sloped surfaces to reduce bacteria growth
- Designed to meet Type A large "scrub" clinical hospital basin requirements specified in Australasian Health Facility Guidelines 2016
- Deep bowl with anti-splash technology for clinical use
- Weight Bearing Up to 150kg (dependant on correct installation)
- Underside of bowl is glazed for easy cleaning
- Nanotechnology Coating
- Recommended for use in health and aged care projects

Technical Information



| | |
|-----------------|-------------------------|
| Materials | Ceramic |
| Outlet | 40mm Male Outlet |
| Finish / Colour | White Glaze |
| Overflow | No Overflow |
| Taphole | No Tap Hole |
| Warranty | 5 Years (Base Warranty) |

Product Certifications



A: Unit 6, 20 - 28 Ricketty St, Mascot, NSW 2020
P: +612 9319 4422
F: +612 8088 7635
E: info@gentecaustralia.com.au

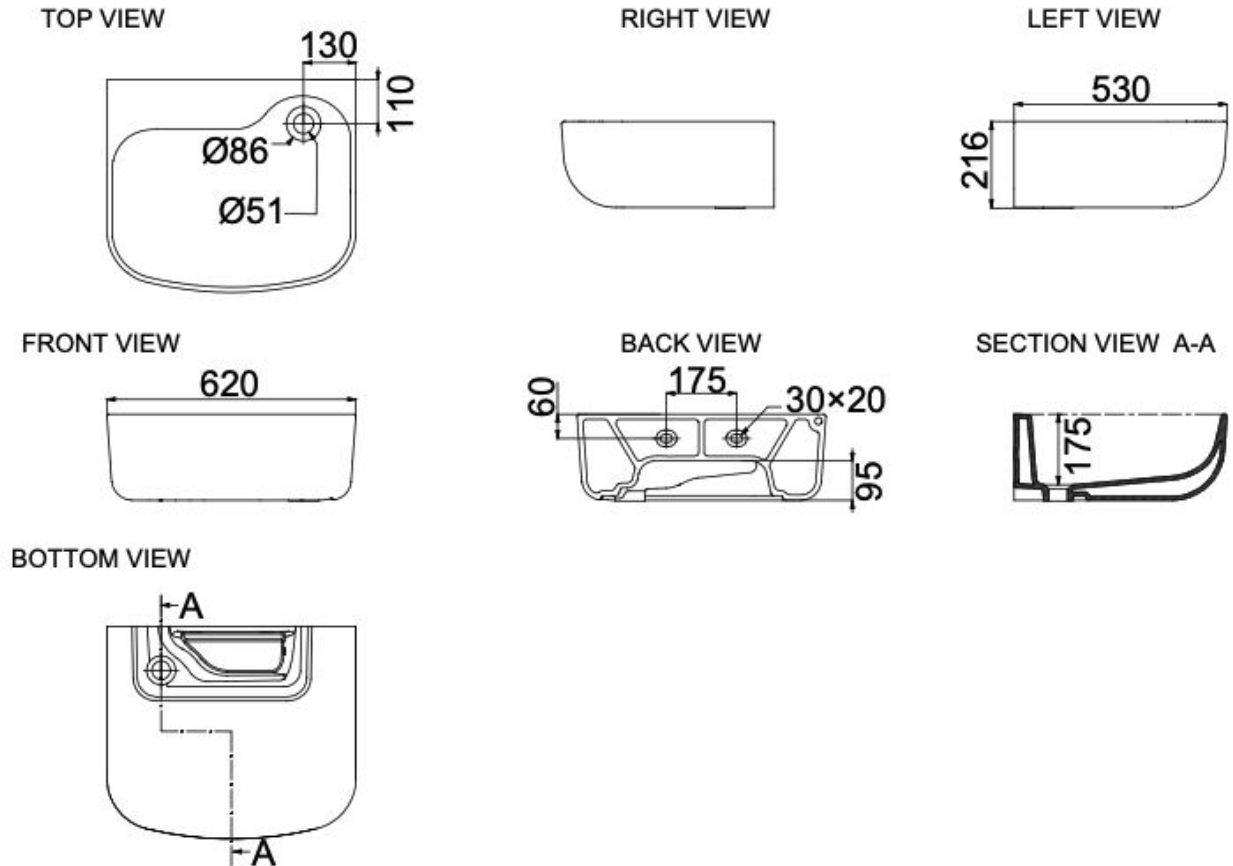


Gentec products come with a Manufacturer's Warranty. To ensure the validity of this warranty, Gentec products must be installed following the provided installation instructions and adhering to AS 3500, NCC Volume Three, relevant Australian Standards, and any local authority requirements applicable to the product. Additionally, water and electrical supply conditions must meet the appropriate national and/or state standards. Non-compliance with these provisions may impact product performance and void the warranty.

Technical Drawings



All measurements are in millimetres and should be used as a guide only.



Disclaimer: Stainless Steel Grades 304 & 316 are manufactured with ZERO* Lead.



A: Unit 6, 20 - 28 Ricketty St, Mascot, NSW 2020

P: +612 9319 4422

F: +612 8088 7635

E: info@gentecaustralia.com.au



Note: The information provided is only a guide, actual product may differ. The information here should not be relied on without clarification with Gentec. Gentec reserves the right to make design changes at any time without notification.

Subject to terms and conditions. For detailed warranty information, installation compliance, maintenance and cleaning guidelines, and other relevant details, please visit <https://gentecaustralia.com.au>