

## SMARTEC - Electronic Tap

# STSLF2500M

### Lead Free DZR Brass Wall Mounted Electronic Tap w/ Infrared Sensor Mains Powered



6 Star 6.0 lpm  
Nominal Flow: 5.39 lpm

#### Product Features



- Lead Free
- Digital sensor technology; Sensor range, run timing and hygiene flush programming are adjustable post installation with the use of remote controls (sold separately)
- Extension leads available for both power and sensor
- IP67 for the sensor and sensor tap, IPX4 solenoid control box behind the wall.
- Integral strainer minimises fouling by debris in Solenoid
- Both battery and mains power options available (Configuration can be changed following installation)
- Hygiene flush programming minimises the risk of Legionella from infrequently used fixtures
- Recommended for all types projects
- Product customisation available

#### Technical Information



Materials	Lead Free DZR Brass
Cartridge	Solenoid Valve
Cartridge Size	15mm
Run Time	2 seconds (auto on / off)
Inlet	15mm Female Flexible Connections
Flow Style	Laminar Flow
Working Pressures	50kPa-500kPa
Recommended Working Pressures	350kPa
Working Temperatures	5°C - 50°C
Finish / Colour	Chrome Plated
Warranty	2 Years (Base Warranty)

#### Product Certifications



WELS:T43444



A: Unit 6, 20 - 28 Ricketty St, Mascot, NSW 2020  
P: +612 9319 4422  
F: +612 8088 7635  
E: info@gentecaustralia.com.au

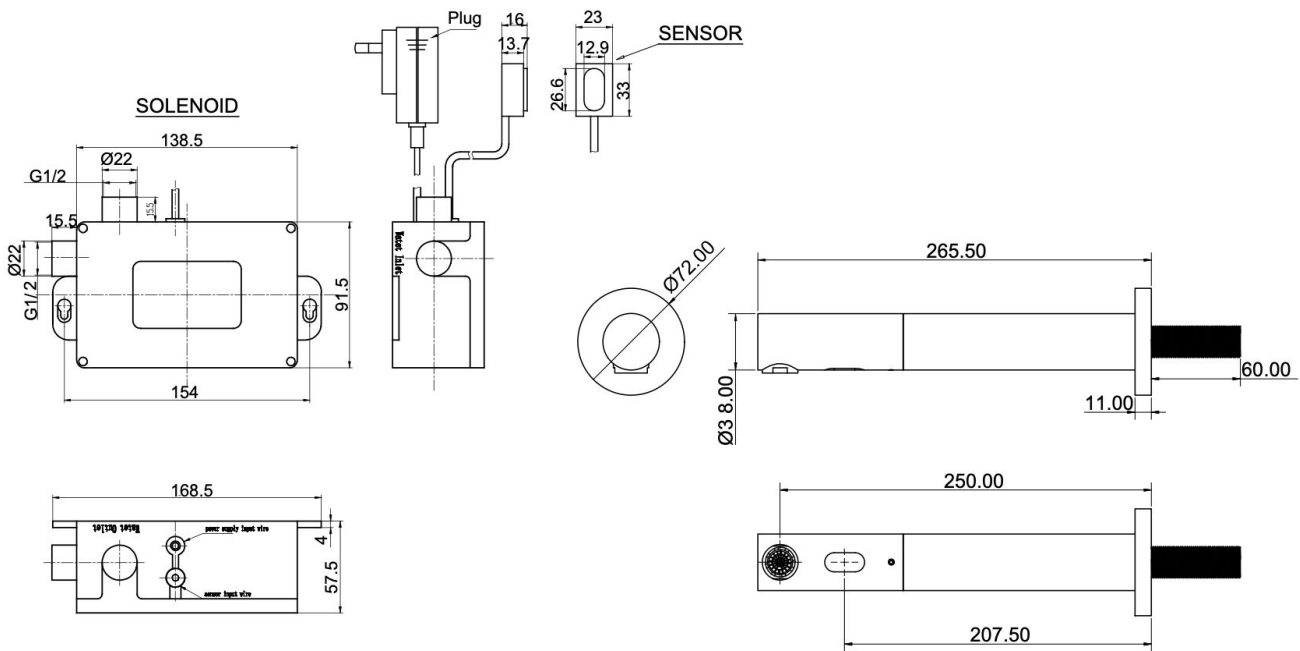


Gentec products come with a Manufacturer's Warranty. To ensure the validity of this warranty, Gentec products must be installed following the provided installation instructions and adhering to AS 3500, NCC Volume Three, relevant Australian Standards, and any local authority requirements applicable to the product. Additionally, water and electrical supply conditions must meet the appropriate national and/or state standards. Non-compliance with these provisions may impact product performance and void the warranty.

# Technical Drawings



All measurements are in millimetres and should be used as a guide only.



Disclaimer: Stainless Steel Grades 304 & 316 are manufactured with ZERO\* Lead.



A: Unit 6, 20 - 28 Ricketty St, Mascot, NSW 2020  
 P: +612 9319 4422  
 F: +612 8088 7635  
 E: [info@gentecaustralia.com.au](mailto:info@gentecaustralia.com.au)



Note: The information provided is only a guide, actual product may differ. The information here should not be relied on without clarification with Gentec. Gentec reserves the right to make design changes at any time without notification.

Subject to terms and conditions. For detailed warranty information, installation compliance, maintenance and cleaning guidelines, and other relevant details, please visit <https://gentecaustralia.com.au>