

GPURE® SMARTEC PLUS - Electronic Soap Dispenser

PLUS2520S

Zero Lead Stainless Steel 304 Wall
Mounted Free Flow Electronic Soap
Dispenser w/ Laser Sensor Mains
Powered



Product Features



- Advanced laser sensor technology provides precision, consistency and with variable programming. This avoids nuisance triggering and activates on all skin tones
- Sensor range is adjustable post installation without the use of tools
- Extension leads available for either power or sensor (not both simultaneously)
- Individual soap bottle is easily removable for refilling and servicing
- Product customisation available
- Mains power
- Recommended for all types projects

Technical Information



Materials	Zero Lead Stainless Steel 304
Run Time	1.5 seconds (auto on / off)
Flow Style	
Finish / Colour	Brushed
Warranty	5 Years (Base Warranty)
Soap Viscosity	Between 1-3500m Pa.s (cP) Suggested viscosity is 1800Pa.s (cP)
Soap Bottle capacity	1L 12 Volt Soap Pump

Product Certifications



A: Unit 6, 20 - 28 Ricketty St, Mascot, NSW 2020
P: +612 9319 4422
F: +612 8088 7635
E: info@gentecaustralia.com.au

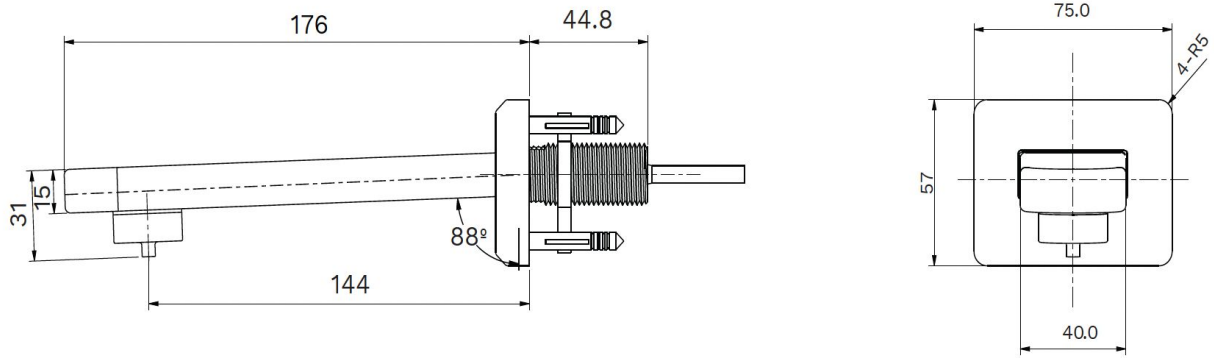


Gentec products come with a Manufacturer's Warranty. To ensure the validity of this warranty, Gentec products must be installed following the provided installation instructions and adhering to AS 3500, NCC Volume Three, relevant Australian Standards, and any local authority requirements applicable to the product. Additionally, water and electrical supply conditions must meet the appropriate national and/or state standards. Non-compliance with these provisions may impact product performance and void the warranty.

Technical Drawings



All measurements are in millimetres and should be used as a guide only.



Disclaimer: Stainless Steel Grades 304 & 316 are manufactured with ZERO* Lead.



A: Unit 6, 20 - 28 Ricketty St, Mascot, NSW 2020
P: +612 9319 4422
F: +612 8088 7635
E: info@gentecaustralia.com.au



Note: The information provided is only a guide, actual product may differ. The information here should not be relied on without clarification with Gentec. Gentec reserves the right to make design changes at any time without notification.

Subject to terms and conditions. For detailed warranty information, installation compliance, maintenance and cleaning guidelines, and other relevant details, please visit <https://gentecaustralia.com.au>