



## FLOSTOP - Shower Set

# TFTLF1015KIT

Lead Free DZR Brass In-Wall Single Temperature Timed Flow 15mm Male Shower Set w/ Recess Stainless Steel Enclosure

Nominal Flow:

### Product Features



- Lead Free
- Soft-close, hydraulically operated time flow means that it's suitable for all markets
- Designed to be durable and anti-vandal.
- Suitable for use in public areas
- One service kit used across the Flostop range for easy maintenance
- Supplied with inlet strainer and flow controller
- Adjustable Up to 0-40 (+/-10) seconds run time cartridge
- Recommended for commercial and public projects

### Technical Information



Materials	Lead Free DZR Brass
Cartridge	Timed Flow (Hydraulic)
Cartridge Size	15mm
Run Time	0-40 (+/-10) seconds (Adjustable)
Inlet	15mm Male
Flow Style	Free Flow
Working Pressures	150kPa-500kPa
Recommended Working Pressures	350kPa
Working Temperatures	5°C - 50°C
Finish / Colour	Chrome Plated
Warranty	5 Years (Base Warranty)

### Product Certifications



A: Unit 6, 20 - 28 Ricketty St, Mascot, NSW 2020  
P: +612 9319 4422  
F: +612 8088 7635  
E: [info@gentecaustralia.com.au](mailto:info@gentecaustralia.com.au)

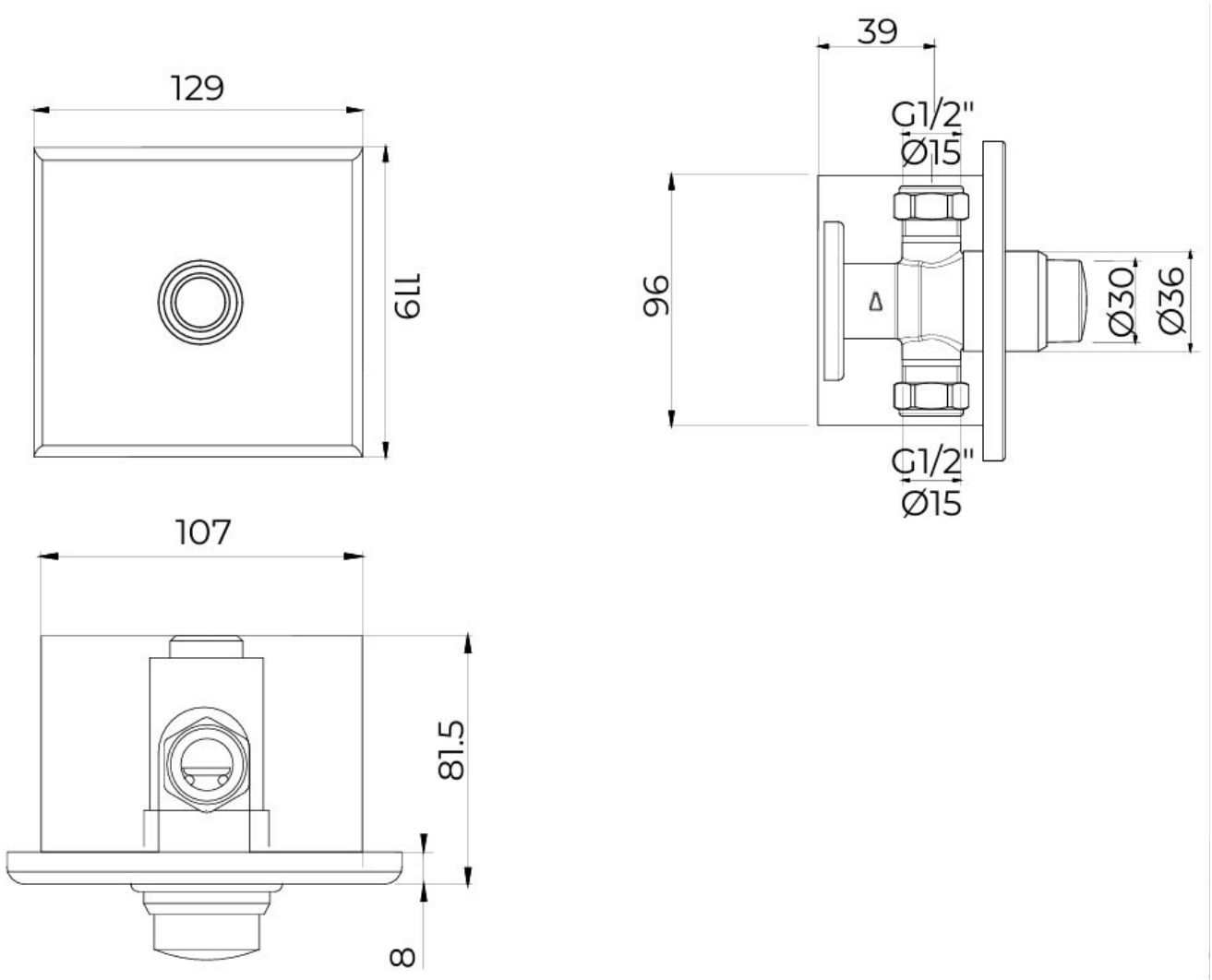


Gentec products come with a Manufacturer's Warranty. To ensure the validity of this warranty, Gentec products must be installed following the provided installation instructions and adhering to AS 3500, NCC Volume Three, relevant Australian Standards, and any local authority requirements applicable to the product. Additionally, water and electrical supply conditions must meet the appropriate national and/or state standards. Non-compliance with these provisions may impact product performance and void the warranty.

# Technical Drawings



All measurements are in millimetres and should be used as a guide only.



Disclaimer: Stainless Steel Grades 304 & 316 are manufactured with ZERO\* Lead.



A: Unit 6, 20 - 28 Ricketty St, Mascot, NSW 2020  
P: +612 9319 4422  
F: +612 8088 7635  
E: [info@gentecaustralia.com.au](mailto:info@gentecaustralia.com.au)



Note: The information provided is only a guide, actual product may differ. The information here should not be relied on without clarification with Gentec. Gentec reserves the right to make design changes at any time without notification.

Subject to terms and conditions. For detailed warranty information, installation compliance, maintenance and cleaning guidelines, and other relevant details, please visit <https://gentecaustralia.com.au>