

USER MANUAL

GPURE® NUGEN Stainless Steel Single Lever Mixer

GPure

- **GPN1000** - Zero Lead Stainless Steel 316 Hob Mounted Basin Mixer
- **GPN2000D** - Zero Lead Stainless Steel 316 Hob Mounted Basin Mixer w/ Care Handle
- **GPN4000** - Zero Lead Stainless Steel 316 In-Wall Recess Shower Mixer w/ Installation Cover and Spirit Level



Table of Contents

Scope of Use	2
Technical Information	2
Product Images & Technical Drawings	3
Exploded Drawings	5
Installation Steps	7
Water Quality	9
Troubleshooting	10
Cleaning & Maintenance	11
Responsibly Sourced	11

Disclaimer: Stainless Steel Grades 304 & 316 are manufactured with ZERO Lead.



USER MANUAL

Scope of Use

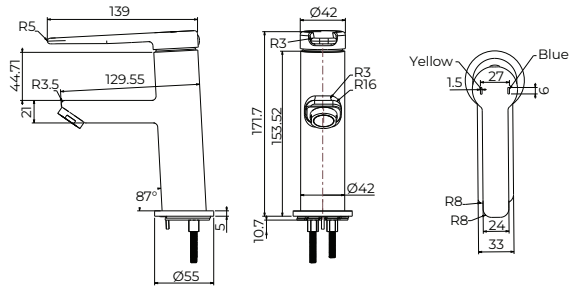
Installation of all products should adhere to the manufacturer's guidelines, as well as comply with PCA, AS/NZS3500 standards, and any other relevant regulatory provisions. This product range complies with the Lead Free requirements of the National Construction Code Volume Three.

- **Installation:** Refer to the installation instructions included within this manual
- **Suitable for indoor use only**
- **Temperature recommendation:**
 - Single temperature up to: 50°C
 - Dual temperature up to: 80°C
 - Minimum temperature: 5°C
- **Mounting:** Wall, bench or in line installation

Technical Information

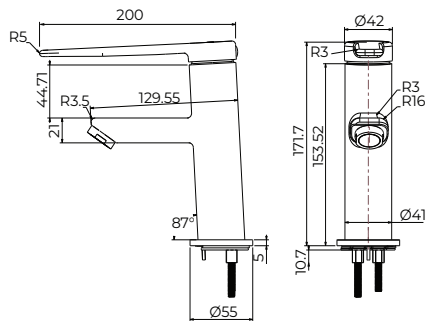
Body / Handle Material	Stainless Steel (SS304)
Waterways	Stainless Steel (SS316)
Cartridge	Ceramic Disc
Cartridge Size	25 mm
Inlet	15 mm Female Flexible Connections (G1/2 BSP)
Outlet	Laminar Flow
Working Pressures	150kPa-500kPa
Recommended Working Pressures	350kPa
Working Temperatures	5°C - 80°C
Finish	Polished Stainless Steel
Servicing	Preventative Maintenance

Product Images & Technical Drawings



GPN1000

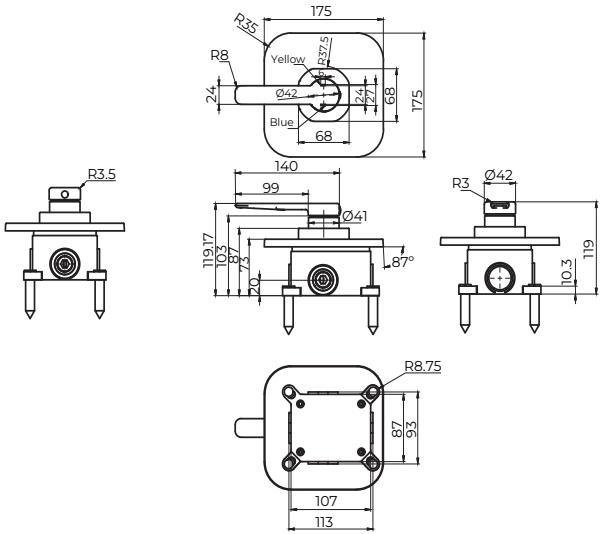
Zero Lead Stainless Steel 316 Hob Mounted Basin Mixer



GPN2000D

Zero Lead Stainless Steel 316 Hob Mounted Basin Mixer w/ Care Handle

USER MANUAL

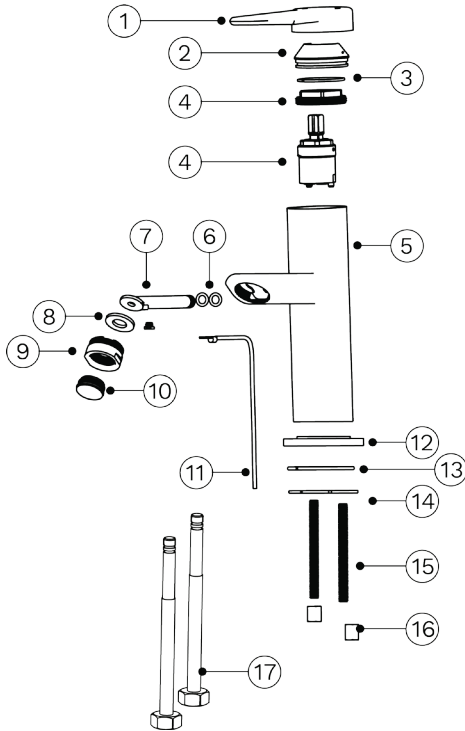


GPN4000

Zero Lead Stainless Steel 316 In-Wall Recess Shower Mixer w/ Installation Cover and Spirit Level

Note: Dimensions are provided as a guide and are subject to manufacturing tolerances.

Exploded Drawings

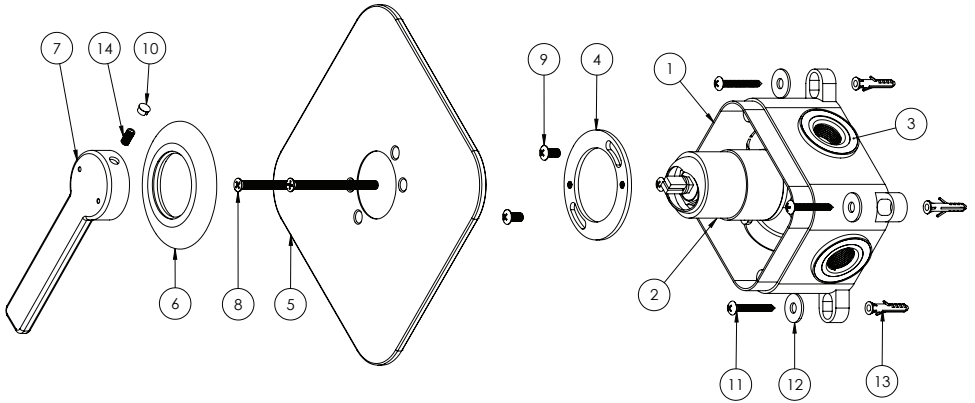


Item#	Description	Spare Parts
1	Handle	<input checked="" type="checkbox"/>
2	Cover flange	<input type="checkbox"/>
3	O-Ring	<input type="checkbox"/>
4	Cartridge	<input checked="" type="checkbox"/>
	Preventative Maintenance	
5	Body	<input type="checkbox"/>
6	O-Rings	<input type="checkbox"/>
7	Water Tube	<input type="checkbox"/>
8	Washer	<input type="checkbox"/>
9	Aerator housing	<input type="checkbox"/>
10	Aerator	<input checked="" type="checkbox"/>
	Preventative Maintenance	
11	Temperature Probe*	<input type="checkbox"/>
12	Flange	<input type="checkbox"/>
13	Rubber seal	<input checked="" type="checkbox"/>
14	Fixing Plate	<input checked="" type="checkbox"/>
15	Fixing bolts	<input checked="" type="checkbox"/>
16	Fixing Nuts	<input checked="" type="checkbox"/>
17	Flexible Hoses	<input checked="" type="checkbox"/>
	Preventative Maintenance	

*Note: Temperature probe is supplied separately and is for the GPURE® basin mixers GPN1000 and GPN2000D.

USER MANUAL

GPN4000



Item#	Description	Qty.
1	Box	1
2	Mixer Body	1
3	Rubber Fitting	3
4	Fixing Plate	1
5	Cover Plate	1
6	Cover Flange	1
7	Handle	1
8	M5 x 65mm Countersunk Screws	2
9	M5 x 10mm Buttonhead Screws	2
10	Handle Screw Cover	1
11	Wall Screws	4
12	Washer	4
13	Wall Plug	4
14	M5 Grub Screw	1

Installation Steps

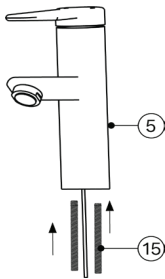
GPN1000 and GPN2000D INSTALLATION STEPS

Important Note

This product comes factory assembled and tested for ease of installation and quality performance. To ensure the optimum service life of this product, it is recommended water supply lines are thoroughly flushed to remove debris before installation. It is also recommended a pressure reducing valve be installed to maintain water pressure between 150kPa and 500kPa.

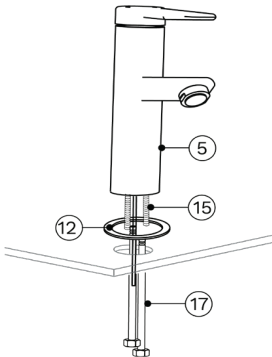
To assist in the maintenance and servicing of this product, isolating stop cocks should be installed at the connection point for both the heated and cold lines.

Step 1. Screw in the fixing bolts (15).

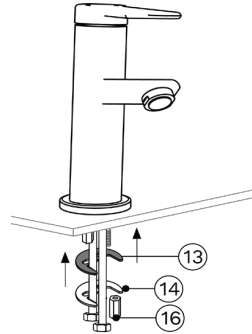


Step 2. Screw in the two flexible hoses (17).

Step 3. Place the tap unit in the pre-punched hole in the sink or basin with the flange (12) and flexible hoses (17) going first.



Step 4. From underneath the basin, fix rubber seal (13), fixing plate (14) and fixing nuts (16) with a socket set or a tube spanner to clamp the mixer onto the basin. Ensure the tap set is firmly attached.

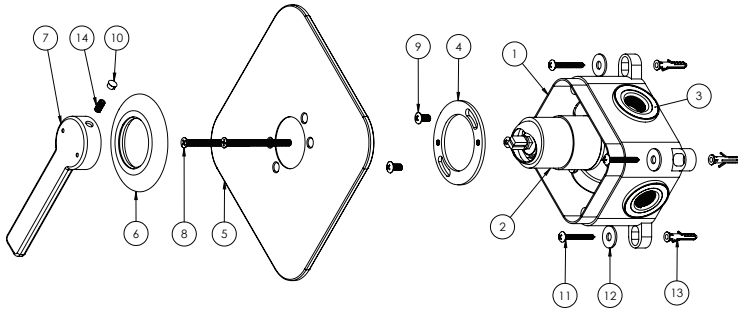


Step 5. Connect the mixer to the water supply by connecting the two flexible hoses to the Isolating stop valves.

Step 6. Turn on the water supply and check for leaks. Activate the tap and verify operation.

USER MANUAL

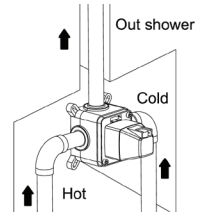
GPN4000 INSTALLATION STEPS



- Step 1. Fit the mixer body to a suitable mounting surface or noggin using supplier screws. Ensure the mixer body is installed square using the spirit level on the cover) and recessed such that the cover plate sits flush on the finished wall.

If you have additional wall finishings outside of standard installations, please ensure that this is taken into consideration when assessing the installation position of the in-wall mixer body. Ensure serviceable areas are accessible.

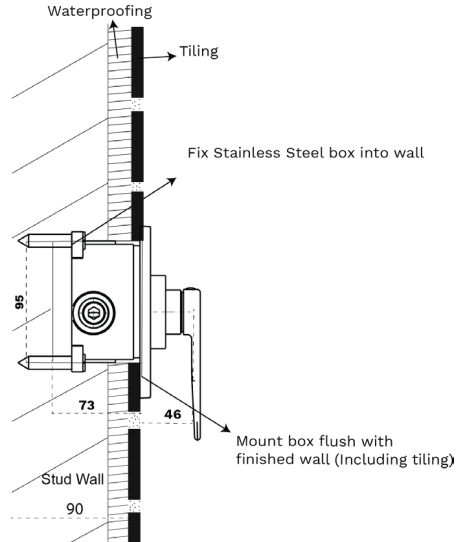
- Step 2. Ensure the in-wall mixer body is sealed and waterproofed such that water and moisture will not penetrate the wall. Make the inlet/ outlet connections as per below image. Do not remove the protective cover until ready to complete installation by installing cover plate and handle.



- Step 3. Screw fixing plate onto the mixer valve using 2xM5x10 buttonhead screws. NOTE: Ensure to align threaded holes with the cover plate using the diagonal hole position.

- Step 4. Place the cover plate over the mixer and screw into place using the 2 x M5 x 65mm countersunk screws.

- Step 5. Push cover flange over the mixer and against the cover plate.
- Step 6. Fit the handle to the mixer cartridge, ensuring it fully engages with the spindle. Screw in and tighten the grub screw and place the handle screw cover.
- Step 7. Activate the hot and cold water supplies and verify operation.



Water Quality

Maximum chloride Cl- level Guidelines in plumbing systems

	Cold Water	Hot Water
Grade 304L	200	50
Grade 316L	1000	250

When materials may be used in either hot or cold water lines, the guidelines for hot water should be used.

Within these guidelines at ambient temperatures and provided the pH >~6, any negative effect to stainless steel will be unlikely.

Note: Chlorides in water - where the density of the solvent (water) is 1 (which it is to within 0.1% at ambient temperatures), then mg/L = ppm.

For brass products, please ensure the chlorine and chloramines levels are not more than 0.4 ppm.

Please ensure that the water quality supplied to the fixtures meets safe drinking standards to prevent potential staining of the product.

Chlorine guidelines (not to be confused with chloride)

- 304L suitable for chlorine levels up to 2ppm.
- 316L suitable for chlorine levels up to 5ppm.
- Short term dosing, for example 25-50ppm, for sterilisation purposes of 24-48 hours acceptable if effectively flushed through afterwards.
- Sterilisation is essential during commissioning of potable water systems.

Reference: <https://www.assda.asn.au/component/content/article?id=271:chlorine-and-chloride--same-element,-very-different-effect>

USER MANUAL

Troubleshooting

Problem	Cause	How to Fix
Tap is not shutting off	<ul style="list-style-type: none"> • Debris • Grease/ lubricants • High pressure 	<ul style="list-style-type: none"> • Have you flushed the water line for a minimum of 1 minute before connecting the water • Have you installed the strainer and flow controller if provided • If debris has gone through the cartridge, this is more than likely to be the cause. If the ceramic disc is broken or damaged, then the cartridge must be replaced • Have you checked to make sure the pressure is to manufacturer's recommendations and in line with the plumbing code
Issue with water flow	<ul style="list-style-type: none"> • Not enough water • Too much / little water 	<ul style="list-style-type: none"> • Check for blockage in the inlet where the strainer is fitted or is the aerator blocked with debris • Is the isolating valve fully open on both hot and cold • Have got these in a bank, if so, is the inlet pipes been sized correctly • Has the laminar flow control been installed • High pressure exceeding the plumbing code will have an effect on the product and must not exceed 500kPa • If flexi hoses are used, ensure it's not kinked/ twisted
Not enough water	<ul style="list-style-type: none"> • Taps installed in a bank or a trough 	<ul style="list-style-type: none"> • Ensure the main pipe size is sized correctly to ensure adequate water is able to service the taps installed in a bank or a trough
The tap is leaking	<ul style="list-style-type: none"> • Debris • Loose cartridge 	<ul style="list-style-type: none"> • Have you flushed your water lines • If rubbish has gone through the cartridge, there is a high chance • Tighten cartridge lock nut
No water	<ul style="list-style-type: none"> • Isolating valve is off 	<ul style="list-style-type: none"> • Ensure the Isolating valve is turned on
How often do I need to service my tap	<ul style="list-style-type: none"> • Prevent product failure 	<ul style="list-style-type: none"> • Service and maintenance of the main operating parts is recommended as this will prolong the life of the product

Cleaning & Maintenance

To minimise downtime and maximise the functional life of the product, GENTEC recommends servicing your product at least every 12 months, under heavy use may need to be checked and serviced more often.

- The product must be handled carefully to avoid causing any physical damage.
- Use the product at least once every week to ensure all parts are kept lubricated and functioning properly.
- Service the product at least once a year to avoid any product failures - The service timeline provided is based on normal use. More frequent servicing may be required for heavy usage.
- A working pressure of 350kPa is highly recommended to ensure the maximum up-time of the product.
- Regularly clean the product with a soft cloth with warm soapy water, wash off with warm water and dry off with a soft dry cloth, paying attention to removing the dust and contamination in the bends and joints is highly recommended.
- Abrasives, hard clothes, strong acids, and bleaches must be avoided when cleaning all GENTEC products.
- Installation must be completed by a qualified and licenced plumber and adhere to AS/NZS3500 and manufacturer's recommendations.

Parts	Product Name
NGM9100	NUGEN standard handle
NGM9200DPR	NUGEN disabled handle
NGM9300C	NUGEN flexible hose cold
NGM9300H	NUGEN flexible hose hot
GPJ9001	25mm cartridge Fluehs

Responsibly Sourced



Reduce Carbon Footprint

GENTEC is rejuvenating the product- no power, less maintenance and longer life.

Rejuvenation Program

To learn more about the rejuvenation program, please contact our customer service at info@gentecaustralia.com.au for more information.

Ethically and Environmentally Sourced

Please refer to GENTEC Business Ethics & Ethical Sourcing Policy at <https://gentecaustralia.com.au/terms-and-conditions/>



A: Unit 6, 20-28 Ricketty St,
Mascot, Sydney, NSW 2020

E: info@gentecaustralia.com.au

P: +612 9319 4422

F: +612 8088 7635

Gentec products come with a Manufacturer's Warranty. To ensure the validity of this warranty, Gentec products must be installed following the provided installation instructions and adhering to AS 3500, NCC Volume Three, relevant Australian Standards, and any local authority requirements applicable to the product. Additionally, water and electrical supply conditions must meet the appropriate national and/or state standards. Non-compliance with these provisions may void the warranty and impact product performance.

Note: The information provided is only a guide, actual product may differ. The information here should not be relied on without clarification with Gentec. Gentec reserves the right to make design changes at any time without notification.

*Subject to terms and conditions. For detailed warranty information, installation compliance, maintenance and cleaning guidelines, and other relevant details, please visit <https://gentecaustralia.com.au>

gentecaustralia.com.au