

# USER MANUAL

## FLOSTOP Lead Free Brass Tapware

- **TFTLF1000W** - Lead Free Wall Mounted Single Temperature Timed Flow Bib Tap with Female Extension
- **TFTLF1000WL** - Lead Free DZR Brass Wall Mounted Single Temperature Timed Flow Bib Tap w/ Care Lever Handle and Female Extension
- **TFTLF1500** - Lead Free DZR Brass Hob Mounted Single Temperature Timed Flow Pillar Tap
- **TFTLF4500** - Lead Free DZR Brass Hob Mounted Single Temperature Timed Flow Pillar Tap w/ Lever Handle
- **TFTLF2000** - Lead Free DZR Brass Hob Mounted Right Angled Single Temperature Timed Flow Pillar Tap
- **TFTLF2500** - Lead Free DZR Brass Hob Mounted Right Angled Hot and Cold Temperature Timed Flow Pillar Tap w/ Temperature Blender



# USER MANUAL

---

## Table of Contents

Scope of Use	2
Technical Information	3
Exploded Drawings	4
Product Images & Technical Drawings	5
Installation Steps	8
Water Pressure - Pipe Sizing	10
Timing Adjustment	10
Troubleshooting	11
Water Quality	12
Cleaning & Maintenance	13
Spare Parts	15
Responsibly Sourced	15

## Scope of Use

Installation of all products should adhere to the manufacturer's guidelines, as well as comply with PCA, AS/NZS3500 standards, and any other relevant regulatory provisions. This product range complies with the Lead Free requirements of the National Construction Code Volume Three.

---

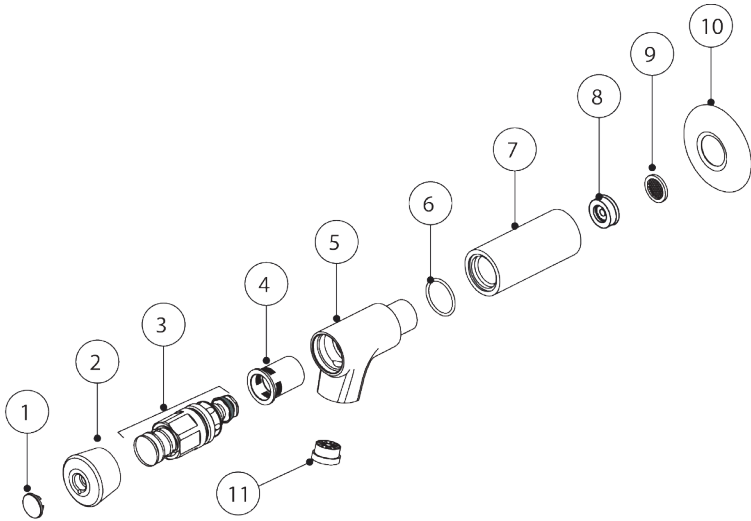
- **Installation:** Refer to the installation instructions included within this manual
- **Water quality:** In line strainer (supplied) must be installed to ensure water quality
- **Suitable for indoor and outdoor use**
- **Temperature recommendation:**
  - Single temperature up to: 50°C
  - Dual temperature up to: 80°C
  - Minimum temperature: 5°C
- **Mounting:** Wall or in line installation

## Technical Information

<b>Material</b>	Lead Free Brass
<b>Cartridge</b>	Timed Flow (Hydraulic)
<b>Cartridge Size</b>	15mm
<b>Inlet</b>	<ul style="list-style-type: none"> <li>• TFTLF1000WL, TFTLF1000W, TFTLF2000 (1 inlet hose): 15mm Female Flexible Connection (1/2" BSP).</li> <li>• TFTLF2500 (2 inlet hoses): 15mm Female Flexible Connections (1/2" BSP)</li> <li>• TFTLF1500, TFTLF4500 : 15mm Male (G 1/2" BSP)</li> </ul>
<b>Outlet</b>	<ul style="list-style-type: none"> <li>• TFTLF1000W, TFTLF1000WL &amp; TFTLF1500: Free Flow</li> <li>• TFTLF2500, TFTLF2000: Laminar Flow</li> </ul>
<b>Run Time</b>	4-6 (+/- 5) Seconds (Fixed)
<b>Working Pressure</b>	150kPa-500kPa
<b>Recommended Working Pressure</b>	350kPa
<b>Working Temperature</b>	<ul style="list-style-type: none"> <li>• TFTLF2500: 5°C - 80°C</li> <li>• TFTLF1000W, TFTLF1000WL, TFTLF1500, TFTLF4500, TFTLF2000: 5°C - 50°C</li> </ul>
<b>Finish / Colour</b>	Chrome Plated

# USER MANUAL

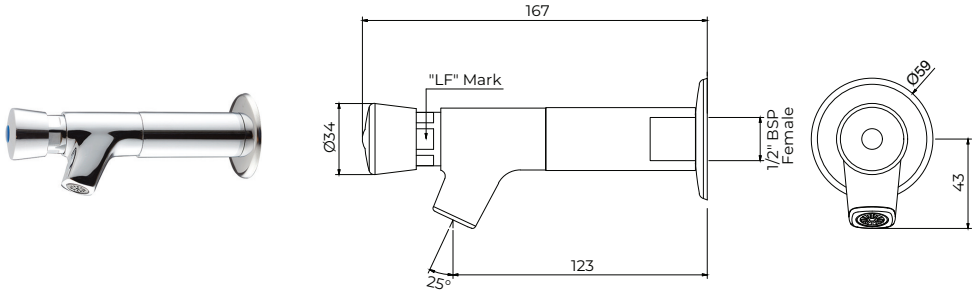
## Exploded Drawings



Item #	Description	Qty.	Spare Parts
1	Indicator Button	1	<input checked="" type="checkbox"/>
2	Push Handle	1	<input type="checkbox"/>
3	Cartridge	1	<input checked="" type="checkbox"/>
4	Flow Cup	1	<input checked="" type="checkbox"/>
5	Tap Body	1	<input type="checkbox"/>
6	O-Ring	1	<input type="checkbox"/>
7	Extension	1	<input checked="" type="checkbox"/>
8	Flow Control	1	<input checked="" type="checkbox"/>
9	Strainer	1	<input checked="" type="checkbox"/>
10	Wall Flange	1	<input type="checkbox"/>
11	Aerator	1	<input type="checkbox"/>
12	O-Ring Kit (TFT9060)	1	<input checked="" type="checkbox"/>

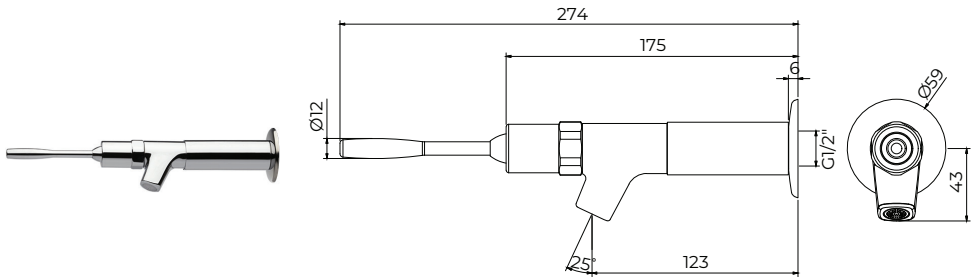
Preventative Maintenance

## Product Images & Technical Drawings



### TFTLF1000W

Lead Free DZR Brass Wall Mounted Single Temperature Timed Flow Bib Tap w/ Female Extension

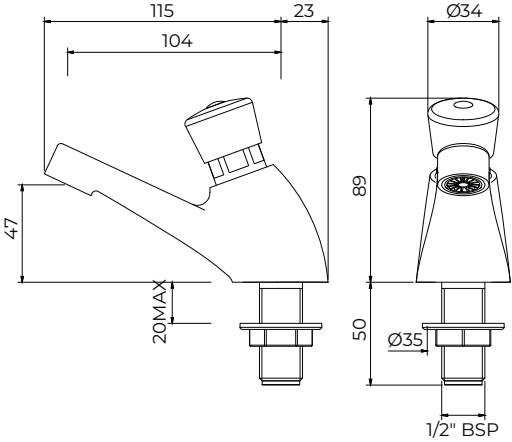


### TFTLF1000WL

Lead Free DZR Brass Wall Mounted Single Temperature Timed Flow Bib Tap w/ Care Lever Handle and Female Extension

# USER MANUAL

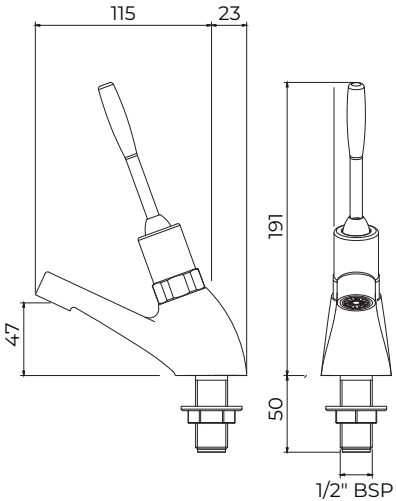
---



## TFRLF1500

Lead Free DZR Brass Hob Mounted Single Temperature Timed Flow Pillar Tap

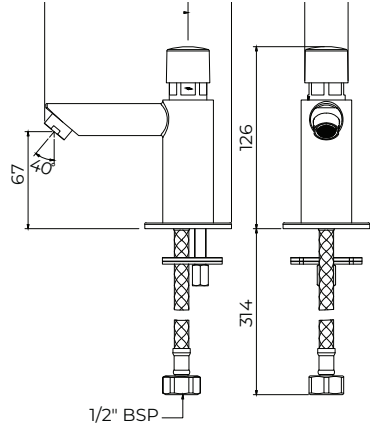
---



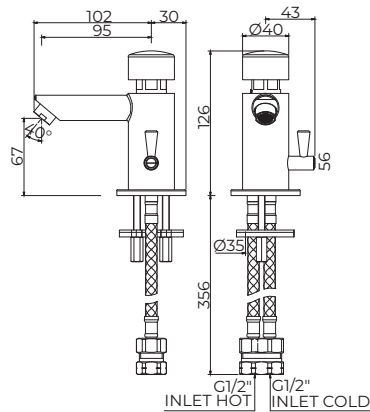
## TFRLF4500

Lead Free DZR Brass Hob Mounted Single Temperature Timed Flow Pillar Tap w/ Lever Handle

---


**TFTLF2000**

Lead Free DZR Brass Hob Mounted Right Angled Single Temperature Timed Flow Pillar Tap


**TFTLF2500**

Lead Free DZR Brass Hob Mounted Right Angled Hot and Cold Temperature Timed Flow Pillar Tap w/ Temperature Blender

Note: Dimensions are provided as a guide and are subject to manufacturing tolerances.

# USER MANUAL

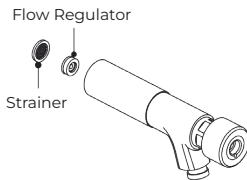
## Installation Steps

### BEFORE THE SET UP

- Flush the water inlet pipework prior to installation
- Install the flow regulator into the body
- The strainer is installed prior to connection
- Please refer to the unit components of the products given in page 4

### TFTLF1000W, TFTLF1000WL, TFTLF1500, TFTLF4500 INSTALLATION STEPS

Step 1. Install the flow regulator and strainer into extended body (ensure it is facing correctly) followed by the strainer.



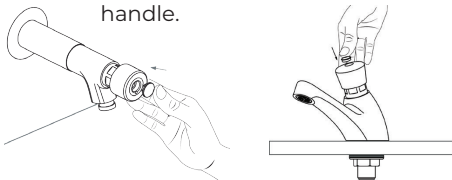
Step 2. Apply a few drops of loctite to the thread of the tap body, place O-Ring on the extended body and screw together.

Step 3. Apply adequate thread tape to the wall fitting, place cover flange in position and screw on the tap using a strap wrench. Ensure spout in facing downwards.

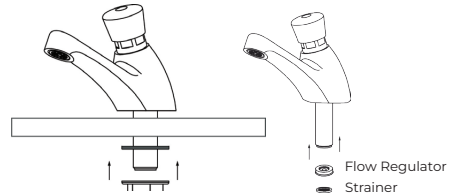
Step 4. Turn on water supply. Check for leaks.

Step 5. Activate tap to verify operation.

Note : For all units: Select the desired colour indicator and push into the handle.



Step 1. Install the flow regulator and strainer into the inlet. Remove the washer and fixing nut. Place the tap on the counter top. From underneath place the washer and tighten the nut and fix firmly in position.



Step 2. Connect water supply to the tap and check for leaks.

Step 3. Activate tap to verify operation.

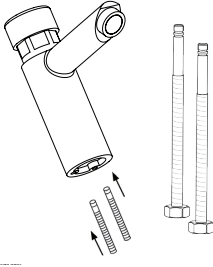
Product Code	Cartridge Code
TFTLF1000W	TFTLF9010
TFTLF1000WL	TFTLF9018
TFTLF1500	TFTLF9010
TFTLF2000	TFTLF9000
TFTLF2500	TFTLF9011
TFTLF4500	TFTLF9018



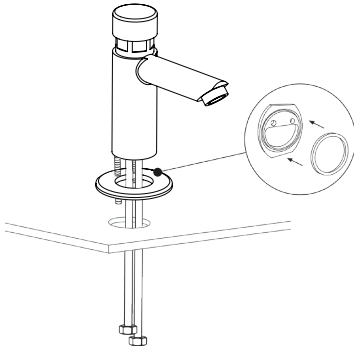
**TFTLF2000, TFTLF2500 INSTALLATION STEPS**

Step 1. Screw in the fixing bolts.

Step 2. Screw the two flexible hoses.

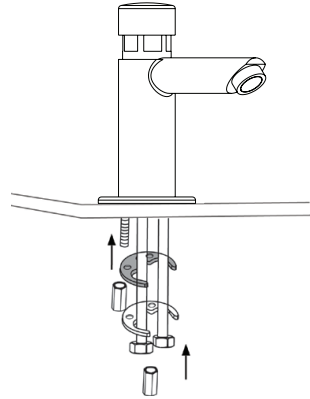


Step 3. Make sure to place the O-Ring into the flange before fixing the tap unit in the sink or basin.



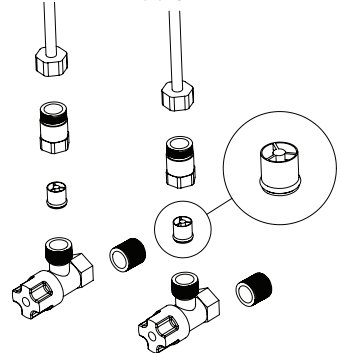
Step 4. Place the flange and the tap unit in the pre-punched hole in the sink or basin with the flexible hoses going first.

Step 5. From underneath the sink or basin, fix rubber seal, fixing plate and fixing nuts, use socket set or tube spanner to clamp the mixer onto the sink/basin. Ensure the tap set is firmly attached to the sink or basin. (see image on top right)



Step 6. Flush the two pipelines to clear any foreign matter. Place non-return valves and strainers into the adaptors (Ensure it is in the correct direction.)

Step 7. Screw non-return valve adaptors to the water supply.



Step 8. Screw on the 2 flexi hoses to the non-return valve adaptors.

Step 9. Turn on water supply. Check for leaks. Activate tap to verify operation.

# USER MANUAL

## Water Pressure - Pipe Sizing

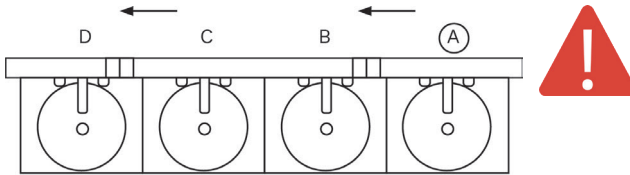


Figure 2

- Step 1. In a case where multiple taps are fitted along side by side (figure 2), it is important to ensure the water pressure is sufficient to service the number of taps fitted.
- Step 2. If the water inlet is at position A then it would require sufficient pressure to achieve the correct pressure at position D.
- Step 3. Make sure to place the O-Ring into the flange before fixing the tap unit in the sink or basin.

## Timing Adjustment

### From 4 to 6 Seconds (Fixed Flow Cup Settings)

Please contact GENTEC before changing flowcups.

Our FLOSTOP range is available in the fixed timing options given in the table in the right.

These options are available upon request and are factory installed.

Flow Control Cup	Description
TFT9050	Flow cup 4 - 6 Sec
TFT9052	Flow cup 8 - 12 Sec
TFT9053	Flow cup 12 - 16 Sec
TFT9054	Flow cup 40 Sec

## Troubleshooting

Problem	Cause	How to Fix
Tap is not shutting off	<ul style="list-style-type: none"> <li>Debris</li> <li>Grease/lubricant</li> <li>High pressure</li> </ul>	<ul style="list-style-type: none"> <li>Is the cartridge tight</li> <li>Have you flushed the water line for a minimum of 1 minute before connecting the water</li> <li>Have you installed the strainer and flow controller if provided</li> <li>If debris or lubricants have gone through the flow cup, it must be replaced. Debris or lubricants have a major effect on the hydraulic cartridge, this is more than likely to be the cause</li> <li>Have you checked to make sure the pressure is to manufacturer's recommendations and in line with the plumbing code</li> <li>Gecko rubber blown/peeled over due to high pressure</li> </ul>
No water	<ul style="list-style-type: none"> <li>Isolating valve is off</li> </ul>	<ul style="list-style-type: none"> <li>Ensure the isolating valve is turned on</li> </ul>
Run cycle is too long	<ul style="list-style-type: none"> <li>Need to order the right timing</li> </ul>	<ul style="list-style-type: none"> <li>The standard product is set to run for 4-6 seconds</li> <li>If you need different timing, you will need to order and replace the flow cup</li> <li>If you have an adjustable time tap or valve, then you have the opportunity to adjust on site by just using an Allen key provided with every unit. The hole is located on the front of the handle, clockwise will reduce the time and anti-clockwise will increase the time</li> </ul>
Issue with water flow	<ul style="list-style-type: none"> <li>Not enough water</li> <li>Too much / little water</li> </ul>	<ul style="list-style-type: none"> <li>Check for blockage</li> <li>Is the isolating valve fully open</li> <li>Have got these in a bank, if so, is the inlet pipes been sized correctly</li> <li>Has the flow control been installed</li> <li>High pressure exceeding the plumbing code will have an effect on the product and must not exceed 500kPa</li> <li>If flexi hose is used, ensure its not kinked/twisted</li> </ul>
Not enough water	<ul style="list-style-type: none"> <li>Taps installed in a bank or a trough</li> </ul>	<ul style="list-style-type: none"> <li>Ensure the main pipe size is correctly sized to provide adequate water to service the taps installed in a bank or a trough</li> </ul>

# USER MANUAL

Problem	Cause	How to Fix
Knee valve and lever pillar tap won't shut off	<ul style="list-style-type: none"> <li>The valve/tap keeps running</li> </ul>	<ul style="list-style-type: none"> <li>Please ensure the brass washer located under the handle and inside the dome is installed the right way round. Please refer to the instructions</li> <li>Ensure inlet/outlet is correct (follow the arrow)</li> </ul>
How often do I need to service my tap	<ul style="list-style-type: none"> <li>Prevent product failure</li> </ul>	<ul style="list-style-type: none"> <li>Service and maintenance of the main operating parts is recommended as this will prolong the life of the product</li> </ul>

## Water Quality

### Maximum chloride Cl- level Guidelines in plumbing systems

	Cold Water	Hot Water
Grade 304L	200	50
Grade 316L	1000	250

When materials may be used in either hot or cold water lines, the guidelines for hot water should be used.

Within these guidelines at ambient temperatures and provided the pH >~6, any negative effect to stainless steel will be unlikely.

Note: Chlorides in water - where the density of the solvent (water) is 1 (which it is to within 0.1% at ambient temperatures), then mg/L = ppm.

For brass products, please ensure the chlorine and chloramines levels are not more than 0.4 ppm.

Please ensure that the water quality supplied to the fixtures meets safe drinking standards to prevent potential staining of the product.

### Chlorine guidelines (not to be confused with chloride)

- 304L suitable for chlorine levels up to 2ppm.
- 316L suitable for chlorine levels up to 5ppm.
- Short term dosing, for example 25-50ppm, for sterilisation purposes of 24-48 hours acceptable if effectively flushed through afterwards.
- Sterilisation is essential during commissioning of potable water systems.

Reference: <https://www.assda.asn.au/component/content/article?id=271:chlorine-and-chloride--same-element,-very-different-effect>

## Cleaning & Maintenance

To minimise downtime and maximise the functional life of the product, GENTEC recommends servicing your product at least every 12 months, under heavy use may need to be checked and serviced more often.

- The product must be handled carefully to avoid causing any physical damage.
- Use the product at least once every week to ensure all parts are kept lubricated and functioning properly.
- Service the product at least once a year to avoid any product failures - The service timeline provided is based on normal use. More frequent servicing may be required for heavy usage.
- A working pressure of 350kPa is highly recommended to ensure the maximum up-time of the product.
- Regularly clean the product with a soft cloth with warm soapy water, wash off with warm water and dry off with a soft dry cloth, paying attention to removing the dust and contamination in the bends and joints is highly recommended.
- Abrasives, hard clothes, strong acids, and bleaches must be avoided when cleaning all GENTEC products.
- Installation must be completed by a qualified and licenced plumber and adhere to AS/NZS3500 and manufacturer's recommendations.

### Important Information

For adequate maintenance, please unscrew and clean the strainer, then proceed to flush the line before replacing the strainer.

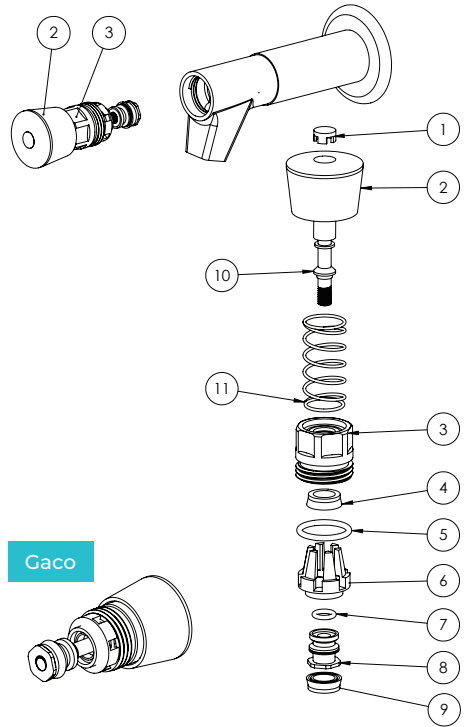
### O-RING KIT SERVICE

For the following steps, a qualified plumber must be in charge of the maintenance and handling of the tapware in order to keep product warranty. The damage on parts after dismantling a product would not be covered by the warranty.

- |         |  |         |  |
|---------|--|---------|--|
| Step 1. | Shut off the main water supply.                | Step 7. | Remove the washer gaco from the head valve and replace with the new washer gaco. |
| Step 2. | Undo the grub screw and remove the handle.     | Step 8. | Remove the Gaco from the stopper and replace it with the new washer gaco.        |
| Step 3. | Undo the head valve and remove the cartridge . | Step 9. | Remove the O-Ring from the head valve and replace it with the new O-Ring.        |
| Step 4. | Undo the stopper.                              |         |  |
| Step 5. | Set aside the crown ring.                      |         |  |
| Step 6. | Set aside the head valve from the stem.        |         |  |

# USER MANUAL

- Step 10. Remove the O-Ring from the stopper and replace it with the new O-Ring.
- Step 11. Using the existing crown ring place it back into the head valve .
- Step 12. Place the stem through the head valve .
- Step 13. Apply a drop of Loxeal to the thread of the stem.
- Step 14. Replace the stopper, ensure the O-Ring is in place, then tighten the stopper. Do not over tighten.
- Step 15. Remove the handle, fit the cartridge back into the body and tighten. Do not over tighten.
- Step 16. Replace the handle tighten the grub screw apply loxeal to avoid loosening if used in busy environment.
- Step 17. For TFT7500, TFT7000W and TFT7600, replace the handle to the knob to avoid any damage while loosening the stopper.



O-Ring Code	Kit Inclusions
TFT9060	O-Ring Washer Gaco

Product Code	Cartridge Code
TFTLF1000W	TFT9010
TFTLF1500	TFT9010
TFTLF2000	TFT9000
TFTLF2500	TFT9011
TFTLF4500	TFT9018

No.	Description	Qty.
01	Indicator	1
02	Handle	1
03	Head Valve	1
04	Gaco	1
05	Large O-Ring	1
06	Crown Ring	1
07	Small O-Ring	1
08	Stopper	1
09	Gaco	1
10	Stem	1
11	Spring	1

## Spare Parts

Product Code	Description	Components Included
TFT9050	Flow cup 4 - 6 sec	1 x Flow Cup, 1 x O-Ring
TFT9052	Flow cup 8 - 12 sec	1 x Flow Cup, 1 x O-Ring
TFT9056	Flow cup 15 - 25 sec	1 x Flow Cup, 1 x O-Ring
TFT9054	Flow cup 40 sec	1 x Flow Cup, 1 x O-Ring
TFT9410	Anti Vandal Housing and Wire Mesh Aerator For TFT1500 with key	
TFT9205	Disabled Bent Handle to Suit Pillar Tap	1 x Handle, 1 x Screw
TFT9107	Plastic Cover Ring to suit TFT7000W	1 x Plastic Cover
TFT9096	Outlet Insert for TFT1500	1 x Outlet Insert
TFT9061	Time Flow Bottom Rubber Washer for Service	1 x U cup Rubber Washer
TFT9055	Time Flowcup 55 sec ±10 sec	1 x Flow Cup, 1 x O-Ring

## Responsibly Sourced



### Reduce Carbon Footprint

GENTEC is rejuvenating the product- no power, less maintenance and longer life.

### Rejuvenation Program

To learn more about the rejuvenation program, please contact our customer service at [info@gentecaustralia.com.au](mailto:info@gentecaustralia.com.au) for more information.

### Ethically and Environmentally Sourced

Please refer to GENTEC Business Ethics & Ethical Sourcing Policy at <https://gentecaustralia.com.au/terms-and-conditions/>



---

A: Unit 6, 20-28 Ricketty St,  
Mascot, Sydney, NSW 2020

E: [info@gentecaustralia.com.au](mailto:info@gentecaustralia.com.au)

P: +612 9319 4422

F: +612 8088 7635

Gentec products come with a Manufacturer's Warranty. To ensure the validity of this warranty, Gentec products must be installed following the provided installation instructions and adhering to AS 3500, NCC Volume Three, relevant Australian Standards, and any local authority requirements applicable to the product. Additionally, water and electrical supply conditions must meet the appropriate national and/or state standards. Non-compliance with these provisions may void the warranty and impact product performance.

Note: The information provided is only a guide, actual product may differ. The information here should not be relied on without clarification with Gentec. Gentec reserves the right to make design changes at any time without notification.

\*Subject to terms and conditions. For detailed warranty information, installation compliance, maintenance and cleaning guidelines, and other relevant details, please visit <https://gentecaustralia.com.au>

[gentecaustralia.com.au](https://gentecaustralia.com.au)