



ECOSAFE-Eyewash

ECO4000FPEXP

Zero Lead Stainless Steel 304 Floor Mounted Eyewash w/ & Foot Pedal

Nominal Flow: Nominal Flow: ≥ 11.4 lpm

Product Features



- Signs & Test Tags included with product
- Temperature relief valves available for temperatures outside of 16°C - 38°C
- Audio & Visual Alarms Available with Connection to BMS Systems R
- Recommended for Science, Education and Industrial projects Recommended for Science, Education and Industrial projects

Technical Information



| | |
|-------------------------------|-------------------------------|
| Materials | Zero Lead Stainless Steel 304 |
| Cartridge | Ball Valve |
| Cartridge Size | 15mm |
| Inlet | 15mm Female |
| Flow Style | Aerated Flow |
| Working Pressures | 150kPa-500kPa |
| Recommended Working Pressures | 350kPa |
| Working Temperatures | 16°C - 38°C |
| Finish / Colour | Polished |
| Warranty | 2 Years (Base Warranty) |

Product Certifications



AS 4775:2007
License No. AMI 74767



A: Unit 6, 20 - 28 Ricketty St, Mascot, NSW 2020
 P: +612 9319 4422
 F: +612 8088 7635
 E: info@gentecaustralia.com.au

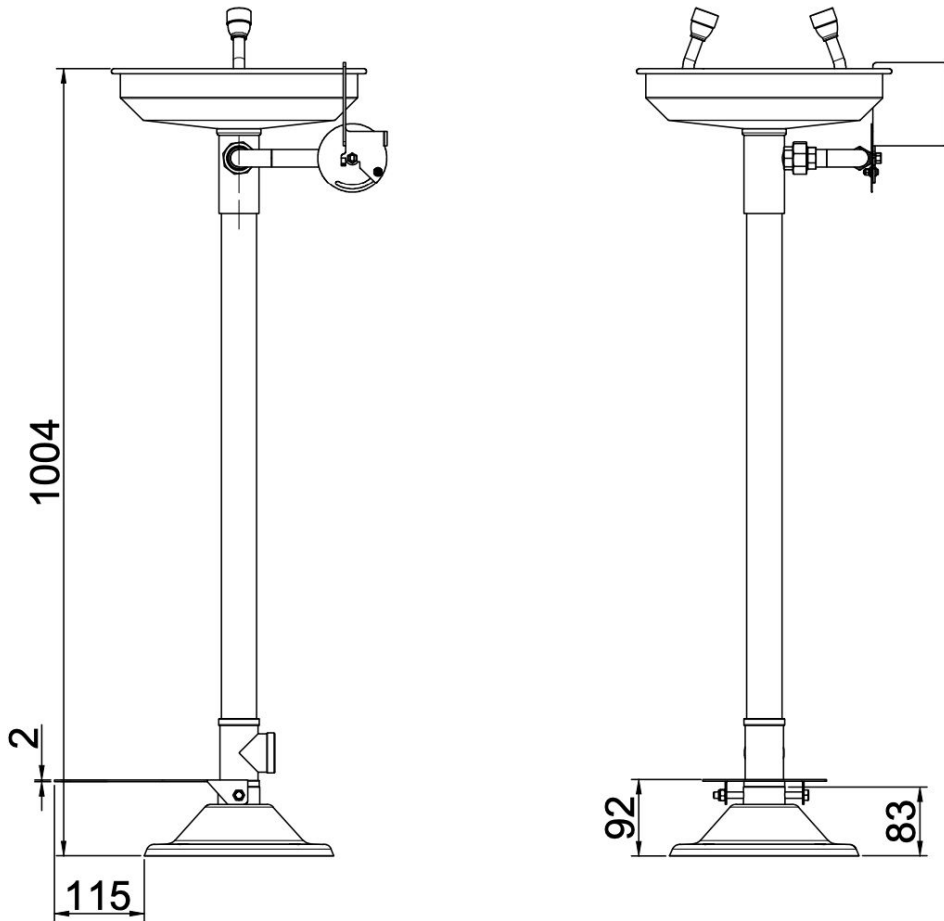


Gentec products come with a Manufacturer's Warranty. To ensure the validity of this warranty, Gentec products must be installed following the provided installation instructions and adhering to AS 3500, NCC Volume Three, relevant Australian Standards, and any local authority requirements applicable to the product. Additionally, water and electrical supply conditions must meet the appropriate national and/or state standards. Non-compliance with these provisions may impact product performance and void the warranty.

Technical Drawings



All measurements are in millimetres and should be used as a guide only.



Disclaimer: Stainless Steel Grades 304 & 316 are manufactured with ZERO* Lead.



A: Unit 6, 20 - 28 Ricketty St, Mascot, NSW 2020
P: +612 9319 4422
F: +612 8088 7635
E: info@gentecaustralia.com.au



Note: The information provided is only a guide, actual product may differ. The information here should not be relied on without clarification with Gentec. Gentec reserves the right to make design changes at any time without notification.

Subject to terms and conditions. For detailed warranty information, installation compliance, maintenance and cleaning guidelines, and other relevant details, please visit <https://gentecaustralia.com.au>