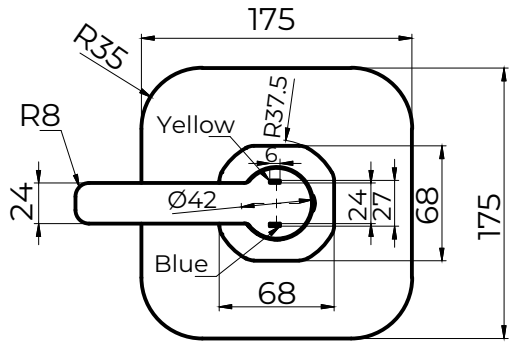


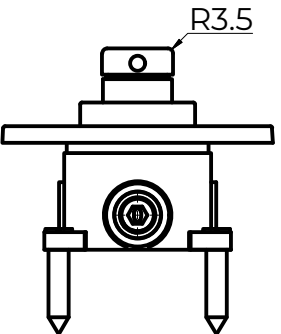
A B C D E F

1

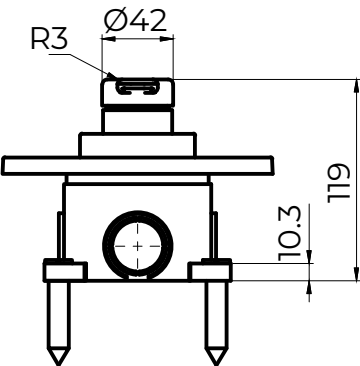
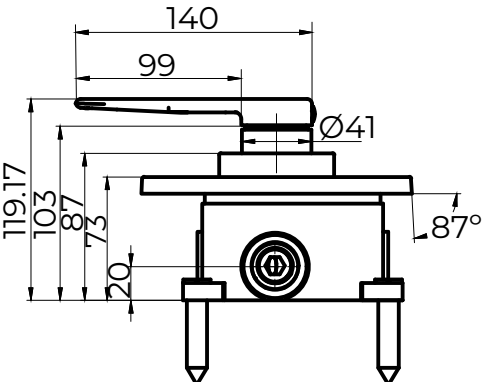


1

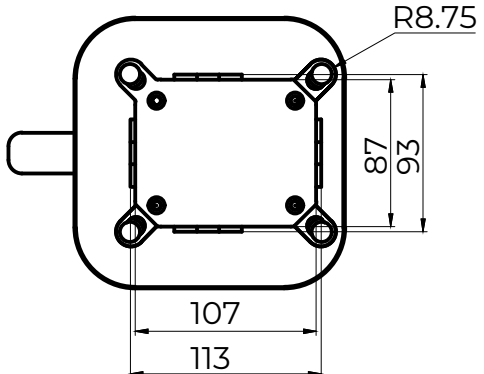
2



2



3




3

4

All dimensions are in mm unless specified and are to be used as a guide only

4

		PRODUCT CODE AND DESCRIPTION GPN4000 GPURE - Stainless Steel Shower Mixer	
6, 20 -28 Ricketty St Mascot, NSW 2020 www.gentecaustralia.com.au info@gentecaustralia.com.au		This drawing is property of Gentec Australia Pty Ltd	
LAST UPDATE 27/02/23	APPROVED BY	PRODUCT RANGE Gpure	A4
		SCALE	

A B C D E F