

A B C D E F

1

1

2

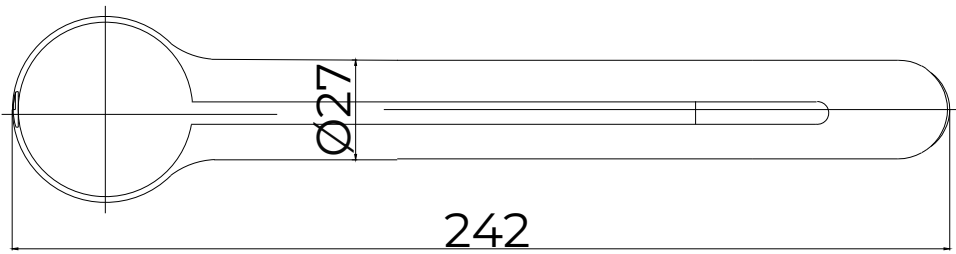
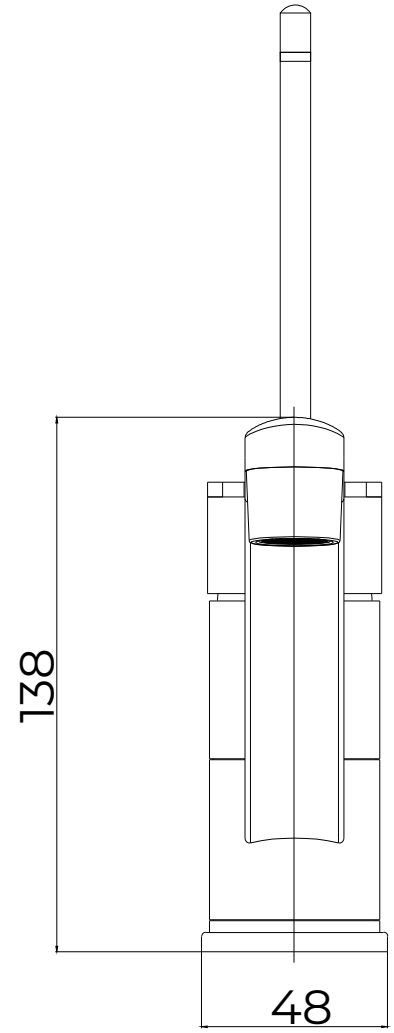
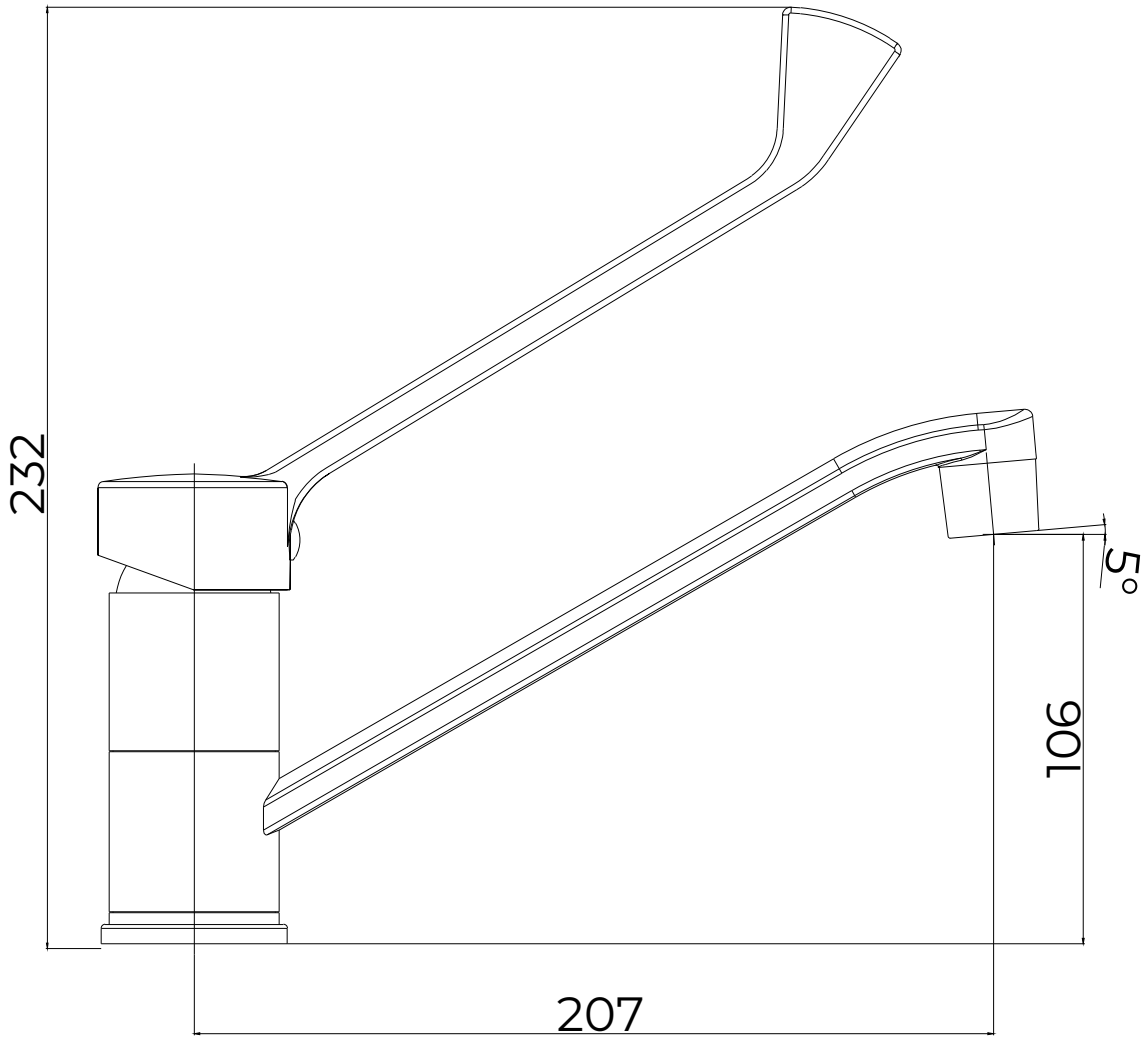
2


3

3

4

4



 6, 20 -28 Ricketty St Mascot, NSW 2020 <a href="http://www.gentecaustralia.com.au">www.gentecaustralia.com.au</a> <a href="mailto:info@gentecaustralia.com.au">info@gentecaustralia.com.au</a>		PRODUCT CODE AND DESCRIPTION	
		GPR3500D	
LAST UPDATE	APPROVED BY	This drawing is property of Gentec Australia Pty Ltd	PRODUCT RANGE
			SCALE

A B C D E F