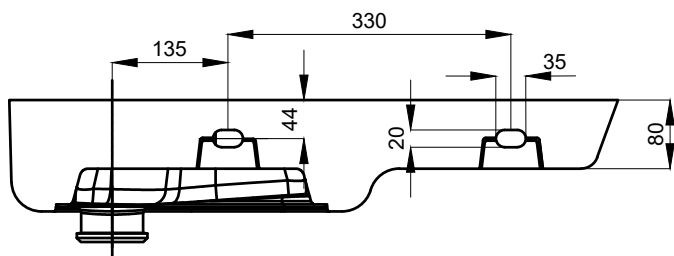
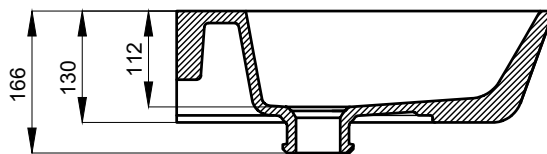


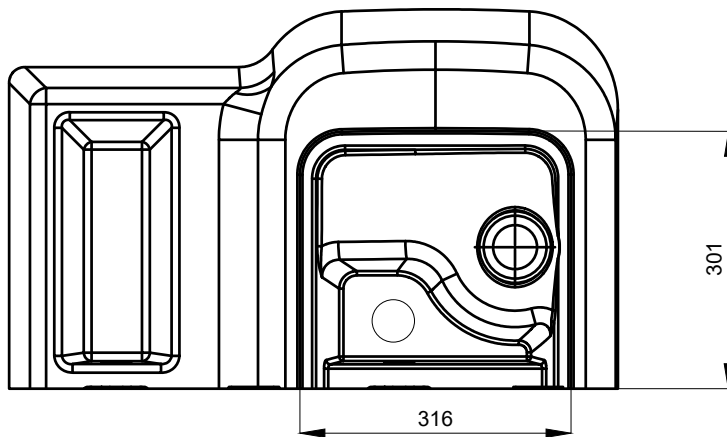
Top view



Back view



Section view



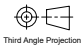
Bottom view

REVISIONS		
REV.	DATE	DESCRIPTION

GENTEC
 6, 20 -28 Ricketty St
 Mascot, NSW 2020
 www.gentecaustralia.com.au
 info@gentecaustralia.com.au

LAST UPDATE	APPROVED BY
02/06/2023	S.C

PRODUCT CODE AND DESCRIPTION:
SANF715BLT

This drawing is the property of Gentec Australia Pty Ltd	PRODUCT RANGE: Sterisan	 <small>Third Angle Projection</small>	SIZE: A4
	MATERIAL: Ceramic		SCALE:
All dimensions are in mm unless specified and are to be used as a guide only		FINISH: Nano-glazed	