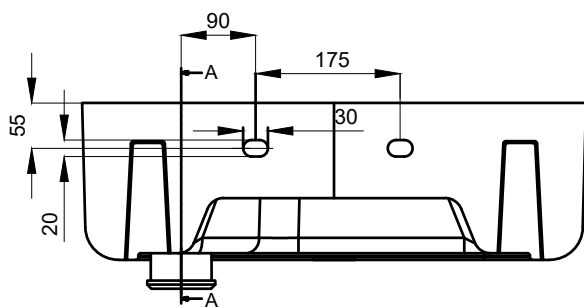
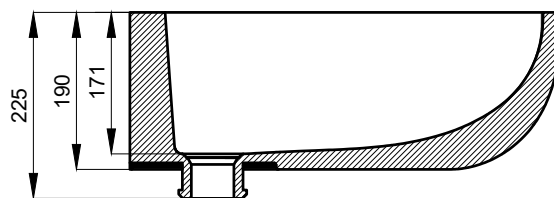


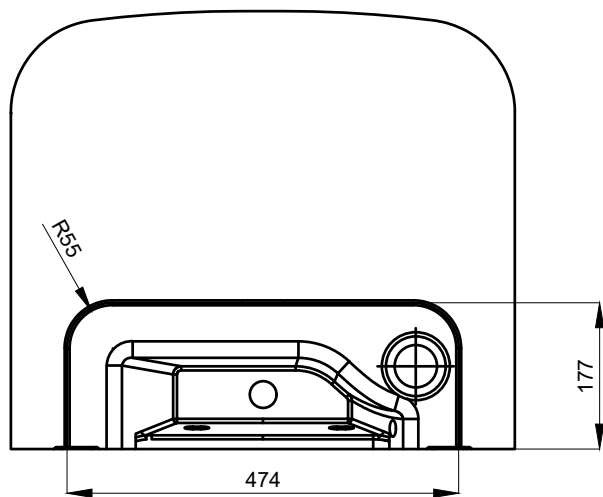
Top view



Back view



Section A-A



Bottom view

REVISIONS

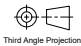
REV.	DATE	DESCRIPTION

GENTEC
 6, 20 -28 Ricketty St
 Mascot, NSW 2020
www.gentecaustralia.com.au
info@gentecaustralia.com.au

LAST UPDATE: **02/06/2023**
 APPROVED BY: **S.C**

PRODUCT CODE AND DESCRIPTION:
SANF610BT

This drawing is the property of Gentec Australia Pty Ltd

PRODUCT RANGE: **Sterisan** 
 MATERIAL: **Ceramic**
 FINISH: **Nano-glazed**

SIZE: **A4**
 SCALE:

All dimensions are in mm unless specified and are to be used as a guide only