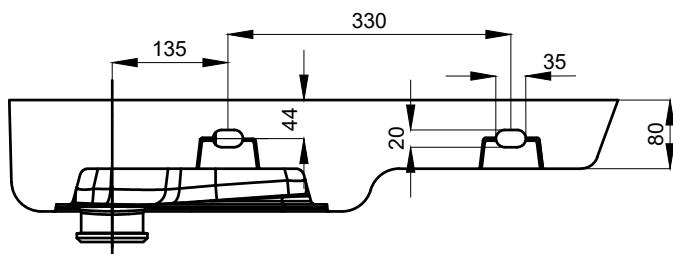
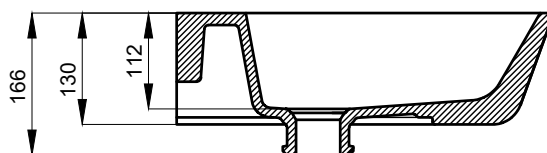


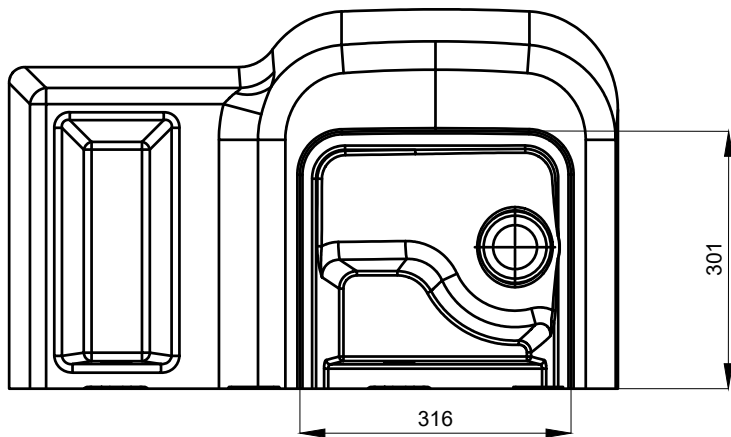
Top view



Back view



Section view



Bottom view

REVISIONS		
REV.	DATE	DESCRIPTION

**GENTEC**  
 6, 20 -28 Ricketty St  
 Mascot, NSW 2020  
 www.gentecaustralia.com.au  
 info@gentecaustralia.com.au

LAST UPDATE	APPROVED BY
02/06/2023	S.C

PRODUCT CODE AND DESCRIPTION: <b>SANF715BL</b>			
This drawing is the property of Gentec Australia Pty Ltd	PRODUCT RANGE:	SIZE: <b>A4</b>	SCALE:
	MATERIAL: <b>Ceramic</b>		
All dimensions are in mm unless specified and are to be used as a guide only		FINISH: <b>Nano-glazed</b>	