



GPURE® SMARTEC PLUS - Electronic Tap

PLUS1000BM

Zero Lead Stainless Steel 316L Hob
Mounted 90 Degree Electronic Tap w/
Laser Sensor Battery & Mains Powered

6 Star 6.0 lpm
Nominal Flow: 6 lpm

Product Features



- Zero Lead
- Advanced laser sensor technology provides precision, consistency and with variable programming.
- This avoids nuisance triggering and activates on all skin tones
- Sensor range is adjustable post installation without the use of tools
- IP67 rated control box enclosure houses the solenoid valve and waterproof connections
- Extension leads available for either power or sensor (not both simultaneously)
- Integral line strainer minimises fouling by debris in Solenoid
- Both battery and mains power options available (Configuration can be changed following installation)
- Factory-set runtime, sensitivity and hygiene flush options available
- Hygiene flush programming minimises the risk of Legionella from infrequently used fixtures
- All waterways are smooth bored for improved infection control
- Recommended for all types projects

Technical Information



Materials	Zero Lead Stainless Steel 316L
Cartridge	Solenoid Valve
Cartridge Size	15mm
Run Time	2 seconds (auto on / off)
Inlet	15mm Female Flexible Connections
Flow Style	Laminar Flow
Working Pressures	50kPa-500kPa
Recommended Working Pressures	350kPa
Working Temperatures	5°C - 50°C
Finish / Colour	Polished
Warranty	2 Years (Base Warranty)

Product Certifications



WELS:T34695



A: Unit 6, 20 - 28 Ricketty St, Mascot, NSW 2020
P: +612 9319 4422
F: +612 8088 7635
E: info@gentecaustralia.com.au



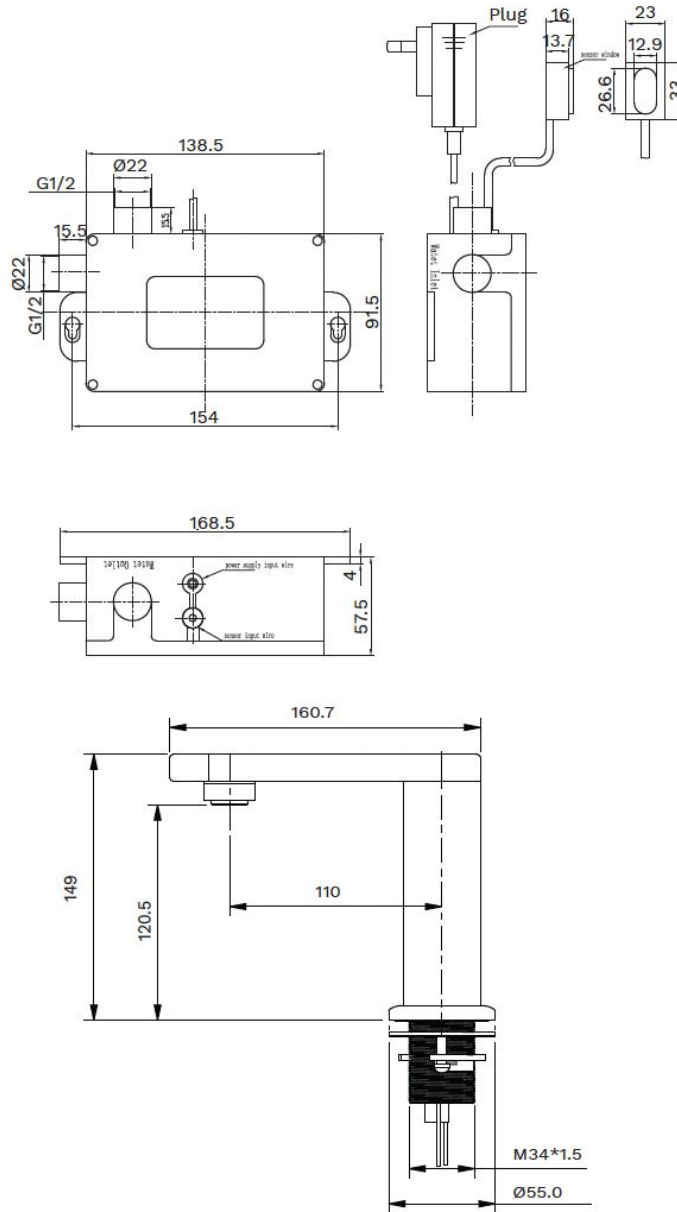
Gentec products come with a Manufacturer's Warranty. To ensure the validity of this warranty, Gentec products must be installed following the provided installation instructions and adhering to AS 3500, NCC Volume Three, relevant Australian Standards, and any local authority requirements applicable to the product. Additionally, water and electrical supply conditions must meet the appropriate national and/or state standards. Non-compliance with these provisions may impact product performance and void the warranty.

Technical Drawings



All measurements are in millimetres and should be used as a guide only.

Control Box



Disclaimer: Stainless Steel Grades 304 & 316 are manufactured with ZERO* Lead.



A: Unit 6, 20 - 28 Ricketty St, Mascot, NSW 2020
P: +612 9319 4422
F: +612 8088 7635
E: info@gentecaustralia.com.au



Note: The information provided is only a guide, actual product may differ. The information here should not be relied on without clarification with Gentec. Gentec reserves the right to make design changes at any time without notification.

Subject to terms and conditions. For detailed warranty information, installation compliance, maintenance and cleaning guidelines, and other relevant details, please visit <https://gentecaustralia.com.au>