

## GPURE® REBEL-Sink Mixer

# GPR3500

### Zero Lead Stainless Steel 304 Hob Mounted Low Line Swivel Spout Sink Mixer w/ Yellow and Blue Printed Handle

4 Star 7.5 lpm  
Nominal Flow: 6.07 lpm



#### Product Features



- Smooth close operation
- Printed indicators eliminate crevices for bacteria build up
- Zero Lead Stainless Steel can be rejuvenated at any time over the life of the product
- Environmentally friendly, no electroplating processes used throughout the product lifecycle
- Supplied with SS316 PEX inlet hoses
- Flow variants available
- Recommended for commercial, health and hospitality projects

#### Technical Information



Materials	Zero Lead Stainless Steel 304
Cartridge	Ceramic disc
Cartridge Size	35mm
Inlet	15 mm Female Flexible Connections
Flow Style	Laminar Flow
Working Pressures	50kPa-500kPa
Recommended Working Pressures	350kPa
Working Temperatures	5°C - 80°C
Finish / Colour	Polished
Warranty	5 Years (Base Warranty)

#### Product Certifications



WELS:T40300



A: Unit 6, 20 - 28 Ricketty St, Mascot, NSW 2020  
P: +612 9319 4422  
F: +612 8088 7635  
E: [info@gentecaustralia.com.au](mailto:info@gentecaustralia.com.au)

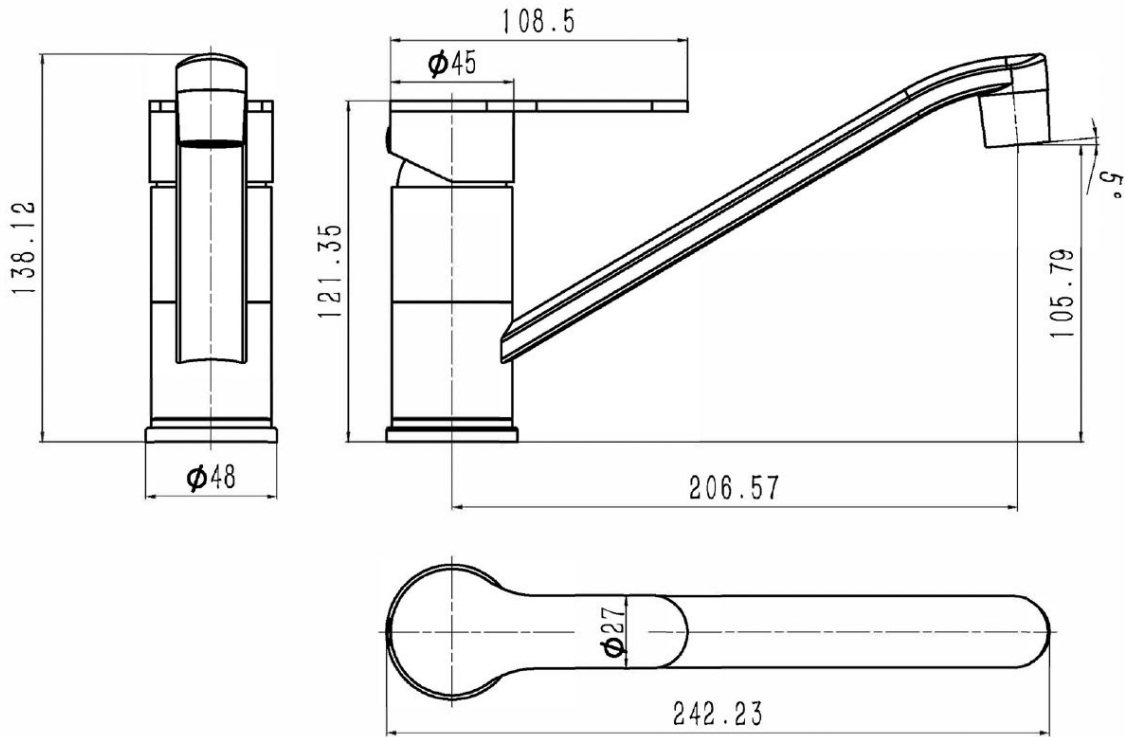


Gentec products come with a Manufacturer's Warranty. To ensure the validity of this warranty, Gentec products must be installed following the provided installation instructions and adhering to AS 3500, NCC Volume Three, relevant Australian Standards, and any local authority requirements applicable to the product. Additionally, water and electrical supply conditions must meet the appropriate national and/or state standards. Non-compliance with these provisions may impact product performance and void the warranty.

# Technical Drawings



All measurements are in millimetres and should be used as a guide only.



Disclaimer: Stainless Steel Grades 304 & 316 are manufactured with ZERO\* Lead.



A: Unit 6, 20 - 28 Ricketty St, Mascot, NSW 2020  
P: +612 9319 4422  
F: +612 8088 7635  
E: [info@gentecaustralia.com.au](mailto:info@gentecaustralia.com.au)



Note: The information provided is only a guide, actual product may differ. The information here should not be relied on without clarification with Gentec. Gentec reserves the right to make design changes at any time without notification.

Subject to terms and conditions. For detailed warranty information, installation compliance, maintenance and cleaning guidelines, and other relevant details, please visit <https://gentecaustralia.com.au>