

ANTI-LIGATURE-Control Valve

AVLF0025

Hob or Wall Mounted Lead Free DZR Brass Control Valve w/ Anti Ligature Outlet and Control Valves



Nominal Flow:

Product Features



- All water contacting components comply with less than 0.25% lead
- Anti-rotation pin
- Anti-ligature and anti-vandal
- Up to 10mm depth adjustment on control valves
- Supplied with cold, warm, hot indicators for each control valve
- Recommended for projects in Public areas, Detention Centres and Mental Health facilities

Technical Information



Materials	Lead Free DZR Brass
Cartridge	Ceramic Disc (Quarter Turn)
Cartridge Size	15 mm
Inlet	15 mm
Flow Style	Free Flow
Working Pressures	50kPa-500kPa
Recommended Working Pressures	350kPa
Working Temperatures	5°C - 60°C
Finish / Colour	Chrome Plated
Warranty	2 Years (Base Warranty)

Product Certifications



litres per minute



Lead Free

AS 3718
Lic WMKA25617
SAI GLOBAL

WELS:



A: Unit 6, 20 - 28 Ricketty St, Mascot, NSW 2020
P: +612 9319 4422
F: +612 8088 7635
E: info@gentecaustralia.com.au

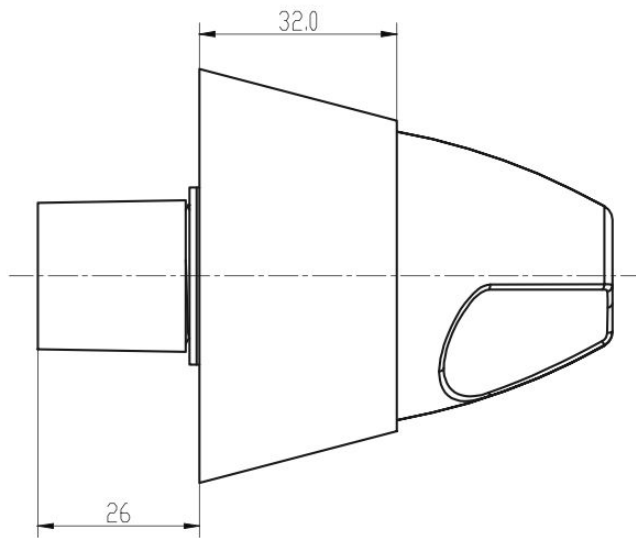
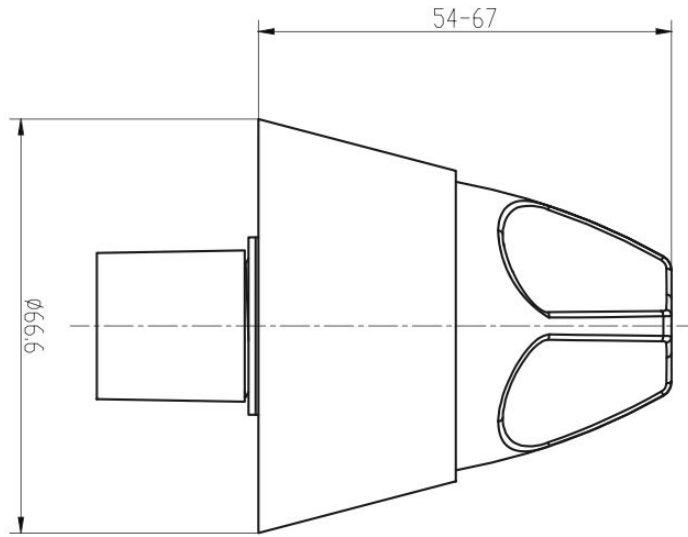


Gentec products come with a Manufacturer's Warranty. To ensure the validity of this warranty, Gentec products must be installed following the provided installation instructions and adhering to AS 3500, NCC Volume Three, relevant Australian Standards, and any local authority requirements applicable to the product. Additionally, water and electrical supply conditions must meet the appropriate national and/or state standards. Non-compliance with these provisions may impact product performance and void the warranty.

Technical Drawings



All measurements are in millimetres and should be used as a guide only.



All measurements are in millimetres and should be used as a guide only

Disclaimer: Stainless Steel Grades 304 & 316 are manufactured with ZERO* Lead.



A: Unit 6, 20 - 28 Ricketty St, Mascot, NSW 2020
P: +612 9319 4422
F: +612 8088 7635
E: info@gentecaustralia.com.au



Note: The information provided is only a guide, actual product may differ. The information here should not be relied on without clarification with Gentec. Gentec reserves the right to make design changes at any time without notification.

Subject to terms and conditions. For detailed warranty information, installation compliance, maintenance and cleaning guidelines, and other relevant details, please visit <https://gentecaustralia.com.au>