

A

B

C

D

E

F

1

1

2

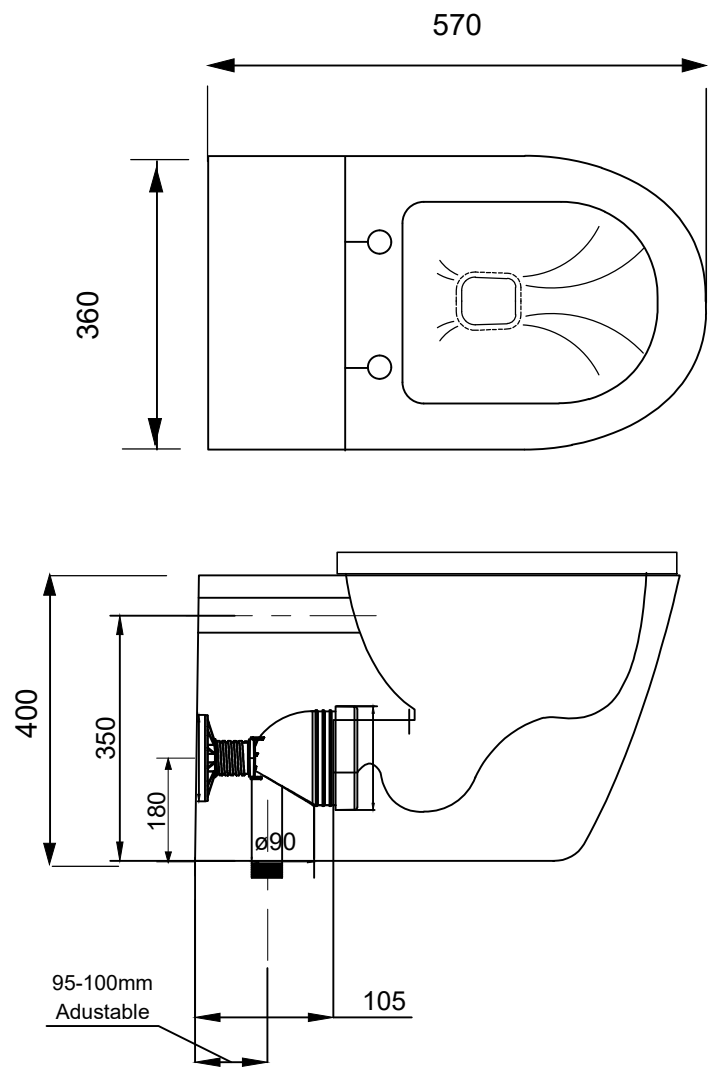
2

3

3

4

4



All dimensions are in mm unless specified and are to be used as a guide only

 **GENTEC**  
 6, 20 -28 Ricketty St  
 Mascot, NSW 2020    www.gentecaustralia.com.au  
 info@gentecaustralia.com.au

PRODUCT CODE AND DESCRIPTION	
SANWC500	

LAST UPDATE
23/08/22

APPROVED BY

<i>This drawing is property of Gentec Australia Pty Ltd</i>
---

PRODUCT RANGE
SCALE

A4
----

A

B

C

D

E

F