



DURALAB-Laboratory Tap

DURA299

DZR Brass Hob Mounted Laboratory Tap w/ Front Control and Detachable Tube Nozzle - Special Water

(Nominal Flow :)

Product Features



- Anti-corrosive coating is 300microns thick to protect the product from chemical damage
- Resistant to base chemicals
- Nozzles or aerator option
- Aerated Outlet Available
- Product customisation available
- Recommended for science and education projects

Technical Information



Materials	DZR Brass
Cartridge	
Cartridge Size	
Inlet	15mm
Flow Style	
Working Pressures	50kpa - 500kpa
Recommended Working Pressures	
Working Temperatures	
Finish / Colour	Polyamide 11 white (Alternate colours on request)
Warranty	2 Years (Base Warranty)

Product Certifications



litres per minute



WaterMark

AS 3718

Lic WM 74827

ApprovalMark

WELS:



A: Unit 6, 20 - 28 Ricketty St, Mascot, NSW 2020

P: +612 9319 4422

F: +612 8088 7635

E: info@gentecaustralia.com.au

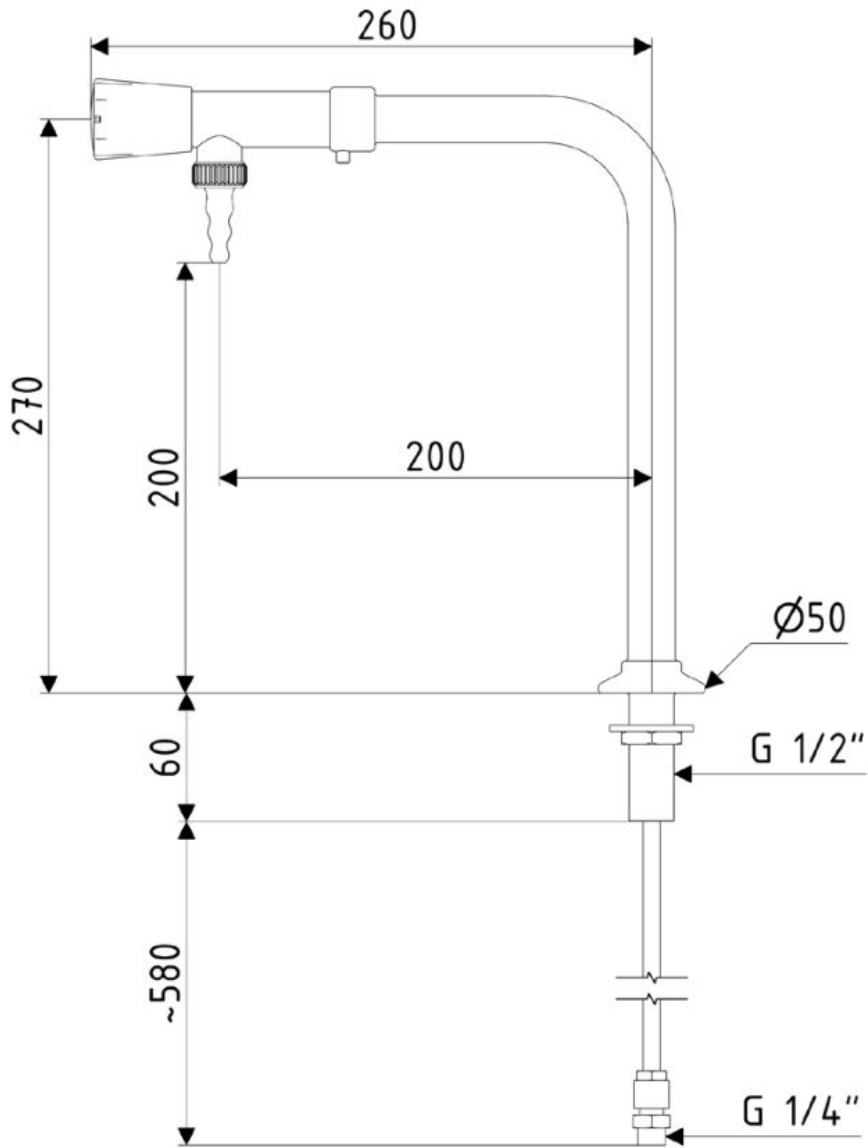


Gentec products come with a Manufacturer's Warranty. To ensure the validity of this warranty, Gentec products must be installed following the provided installation instructions and adhering to AS 3500, NCC Volume Three, relevant Australian Standards, and any local authority requirements applicable to the product. Additionally, water and electrical supply conditions must meet the appropriate national and/or state standards. Non-compliance with these provisions may impact product performance and void the warranty.

Technical Drawings



All measurements are in millimetres and should be used as a guide only.



Disclaimer: Stainless Steel Grades 304 & 316 are manufactured with ZERO* Lead.



A: Unit 6, 20 - 28 Ricketty St, Mascot, NSW 2020
P: +612 9319 4422
F: +612 8088 7635
E: info@gentecaustralia.com.au



Note: The information provided is only a guide, actual product may differ. The information here should not be relied on without clarification with Gentec. Gentec reserves the right to make design changes at any time without notification.

Subject to terms and conditions. For detailed warranty information, installation compliance, maintenance and cleaning guidelines, and other relevant details, please visit <https://gentecaustralia.com.au>