



FLOMIX - Thermostatic Mixing Valve

MVLF5015

GENTEC FLOMIX NSW Health Approved Thermostatic Mixing Valve Lead Free DZR Brass Chrome Plated w/ Strainers and Non Return Valves

Product Features



- Lead Free
- NSW Health approved
- Hygiene flush capable
- Can support up to 6 connections (depending on flow rate)
- Low Flow TMV to suit 2 LPM applications
- Easy, low cost maintenance requirements
- Removable strainers and isolation points in the hot and cold sections allow for easy maintenance
- Recommended for any project

Technical Information



Materials	Lead Free DZR Brass
Cartridge	Mechanical / Wax Element
Inlet	20mm Copper Pipe
Working Pressures	50kPa-500kPa
Recommended Working Pressures	350kPa
Finish / Colour	Chrome Plated
Warranty	5 Years (Base Warranty)
Mixed Outlet Temperature	35°C - 50°C
Inlet Temperature Hot	Min 55°C - Max 80°C
Inlet Temperature Cold	Min 5°C - Max 30°C
Max Differential Inlet Pressure	6:1 Ratio

Product Certifications



Lead Free

AS 4032.1

Lic WM 74512

ApprovalMark



A: Unit 6, 20 - 28 Ricketty St, Mascot, NSW 2020

P: +612 9319 4422

F: +612 8088 7635

E: info@gentecaustralia.com.au

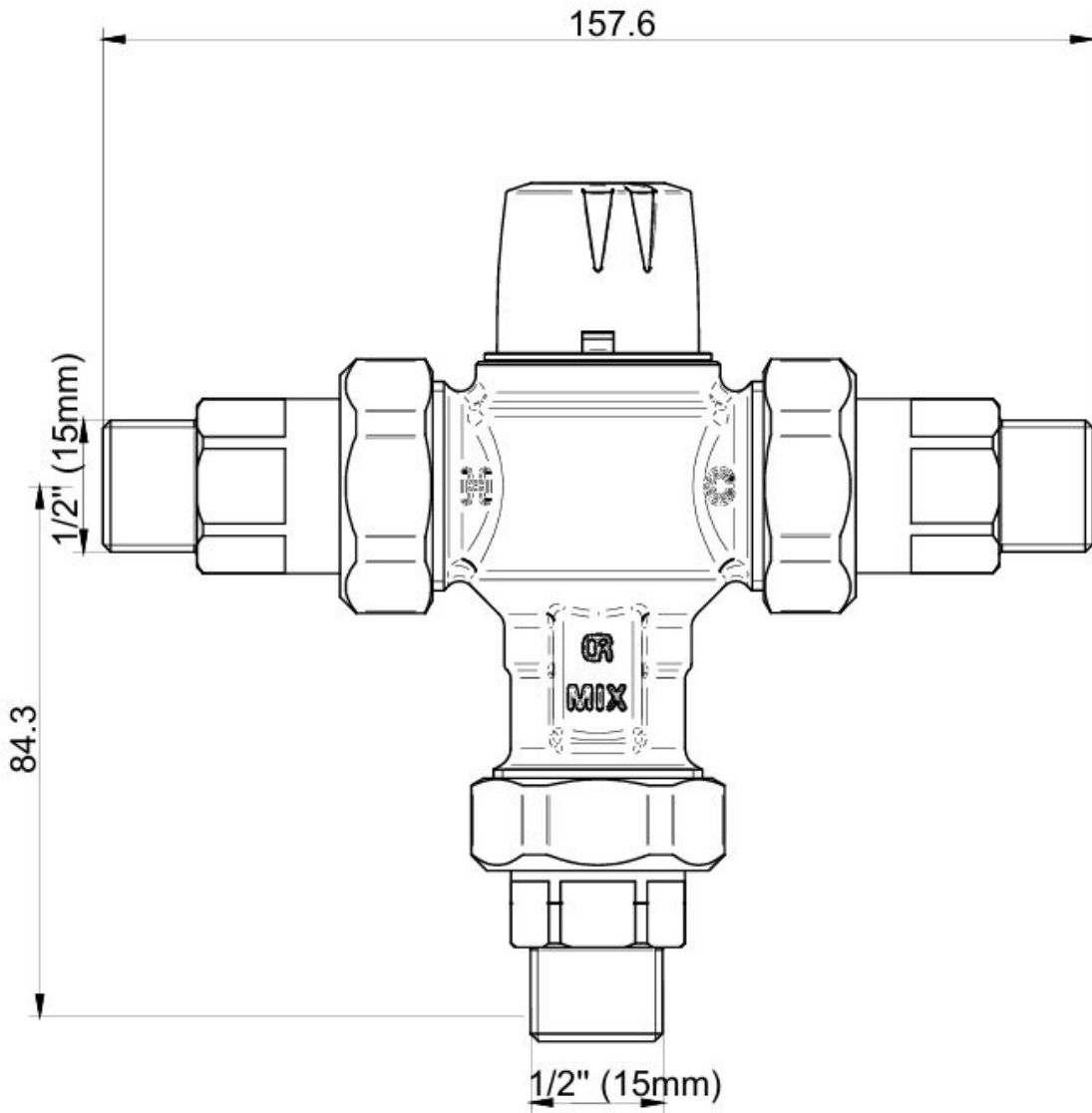


Gentec products come with a Manufacturer's Warranty. To ensure the validity of this warranty, Gentec products must be installed following the provided installation instructions and adhering to AS 3500, NCC Volume Three, relevant Australian Standards, and any local authority requirements applicable to the product. Additionally, water and electrical supply conditions must meet the appropriate national and/or state standards. Non-compliance with these provisions may impact product performance and void the warranty.

Technical Drawings



All measurements are in millimetres and should be used as a guide only.



Disclaimer: Stainless Steel Grades 304 & 316 are manufactured with ZERO* Lead.



A: Unit 6, 20 - 28 Ricketty St, Mascot, NSW 2020
P: +612 9319 4422
F: +612 8088 7635
E: info@gentecaustralia.com.au



Note: The information provided is only a guide, actual product may differ. The information here should not be relied on without clarification with Gentec. Gentec reserves the right to make design changes at any time without notification.

Subject to terms and conditions. For detailed warranty information, installation compliance, maintenance and cleaning guidelines, and other relevant details, please visit <https://gentecaustralia.com.au>