



TEMPSET - Point of Use Thermostatic Mixing Tap

MVPMLF10100

Lead Free DZR Brass Hob Mounted Point of Use Thermostatic Mixing Tap w/ 100mm Lever

Product Features



- Lead Free
- Point-of-use to reduce Legionella risk
- Domed handle available for temperature control setting
- Supplied with strainers and non-return / isolation valves
- Thermostatic valve is located under the handle for easy maintenance
- External temperature control
- Recommended for health projects

Technical Information



Materials	Lead Free DZR Brass
Cartridge	Thermostatic
Inlet	15 mm Female Flexible Connections
Flow Style	Laminar Flow
Working Pressures	50kPa-500kPa
Recommended Working Pressures	350kPa
Working Temperatures	10°C - 50°C
Finish / Colour	Chrome Plated
Warranty	2 Years (Base Warranty)
Mixed Outlet Temperature	35°C - 50°C
Inlet Temperature Hot	Min 55°C - Max 80°C
Inlet Temperature Cold	Min 5°C - Max 30°C
Max Differential Inlet Pressure	6:1 Ratio

Product Certifications



A: Unit 6, 20 - 28 Ricketty St, Mascot, NSW 2020
P: +612 9319 4422
F: +612 8088 7635
E: info@gentecaustralia.com.au

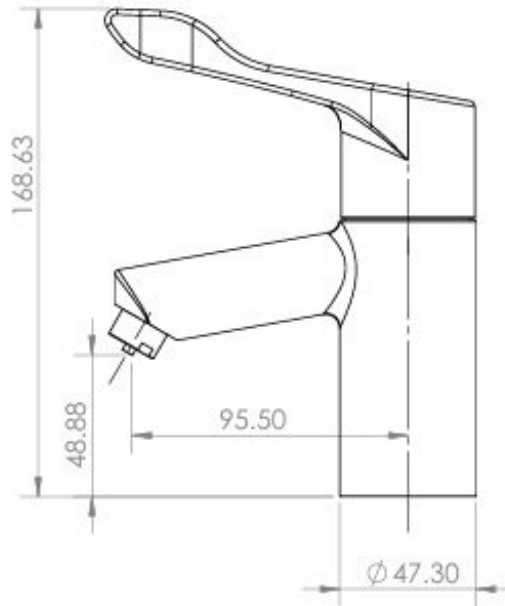
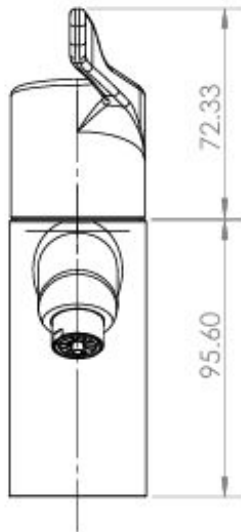
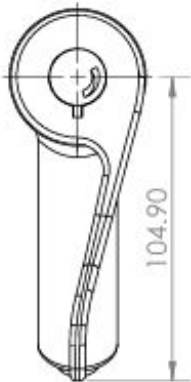


Gentec products come with a Manufacturer's Warranty. To ensure the validity of this warranty, Gentec products must be installed following the provided installation instructions and adhering to AS 3500, NCC Volume Three, relevant Australian Standards, and any local authority requirements applicable to the product. Additionally, water and electrical supply conditions must meet the appropriate national and/or state standards. Non-compliance with these provisions may impact product performance and void the warranty.

Technical Drawings



All measurements are in millimetres and should be used as a guide only.



Disclaimer: Stainless Steel Grades 304 & 316 are manufactured with ZERO* Lead.



A: Unit 6, 20 - 28 Ricketty St, Mascot, NSW 2020
P: +612 9319 4422
F: +612 8088 7635
E: info@gentecaustralia.com.au



Note: The information provided is only a guide, actual product may differ. The information here should not be relied on without clarification with Gentec. Gentec reserves the right to make design changes at any time without notification.

Subject to terms and conditions. For detailed warranty information, installation compliance, maintenance and cleaning guidelines, and other relevant details, please visit <https://gentecaustralia.com.au>