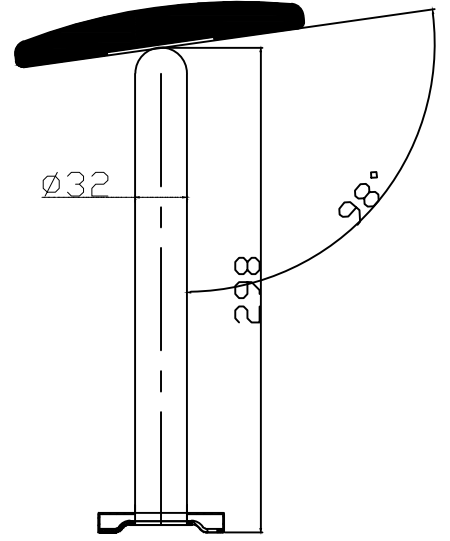
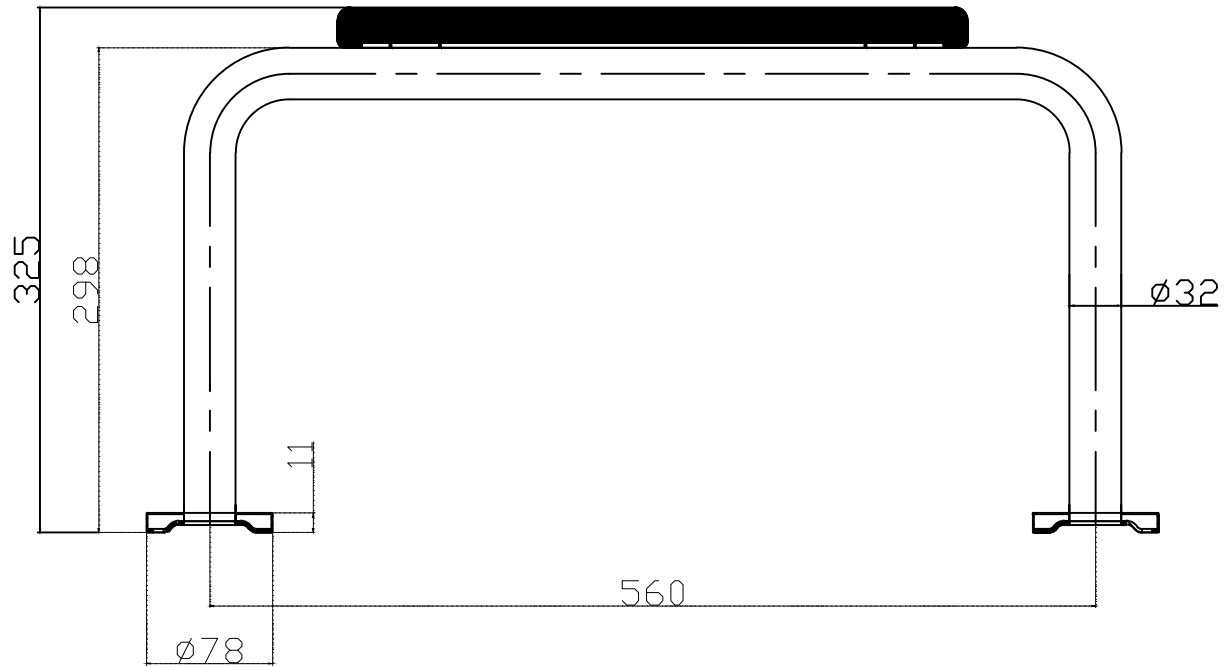
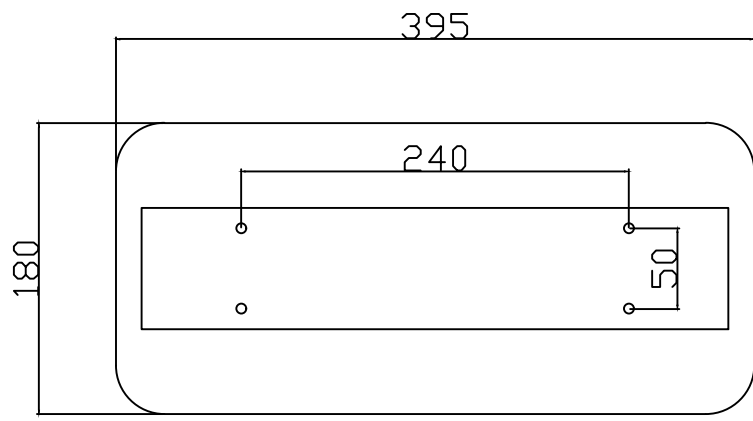
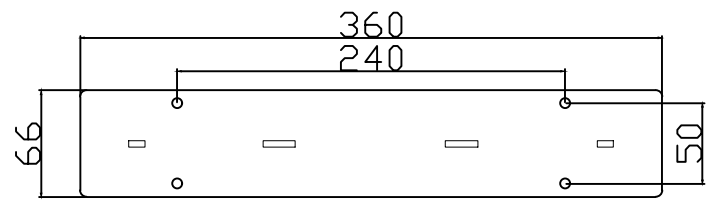


A B C D E F



1

1

2

2

3

3

4

4

A B C D E F

REVISIONS		
REV.	DATE	DESCRIPTION

GENTEC
 6, 20 -28 Ricketty St
 Mascot, NSW 2020
www.gentecaustralia.com.au
info@gentecaustralia.com.au

LAST UPDATE
 21/11/2023

APPROVED BY
 S.Cameron

PRODUCT CODE AND DESCRIPTION:
CC3510
COMCARE - Stainless Steel Padded Back Rest

This drawing is the property of Gentec Australia Pty Ltd

PRODUCT RANGE:
COMCARE

MATERIAL: **SS304**

FINISH: **Brushed**

SIZE:
A4

SCALE:

All dimensions are in mm unless specified and are to be used as a guide only

