

STERISAN - Wall Faced Toilet Suite



SANWC880IW

GENTEC STERISAN In-Wall Wall Faced Toilet Suite w/ Raised buttons and DDA Complaint Single-flap Seat

4 Star 3.5 lpm average flush
Full flush- 4.5 L; Half flush- 3 L

Product Features



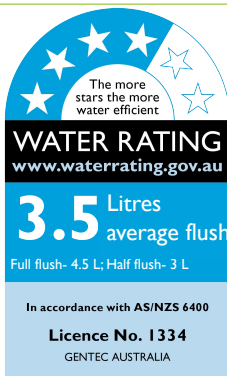
- Water saving rimless hygiene flush
- Can be installed to comply with AS1428.1
- Pneumatically operated cistern
- Recommended for health and aged care projects

Technical Information



Materials	Vitreous China
Inlet	15mm Female Flexible Connection
Working Pressures	50kPa-500kPa
Recommended Working Pressures	350kPa
S-Trap	S-Trap: Included / Adjustable (P-Trap capable)
Finish / Colour	White Glaze
Warranty	2 Years (Base Warranty)

Product Certifications



WELS:



A: Unit 6, 20 - 28 Ricketty St, Mascot, NSW 2020
P: +612 9319 4422
F: +612 8088 7635
E: info@gentecaustralia.com.au

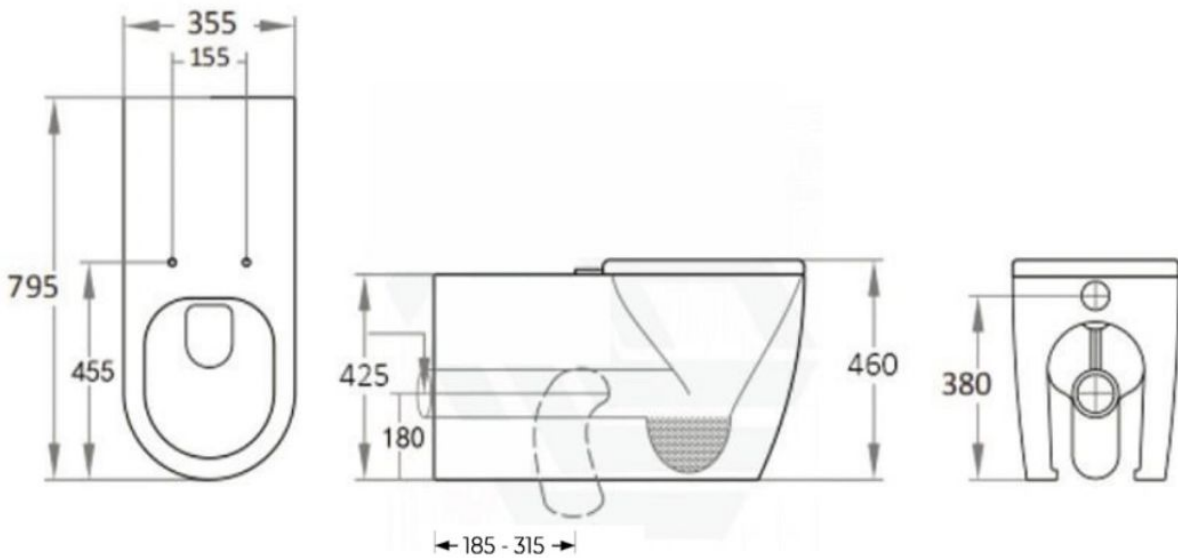
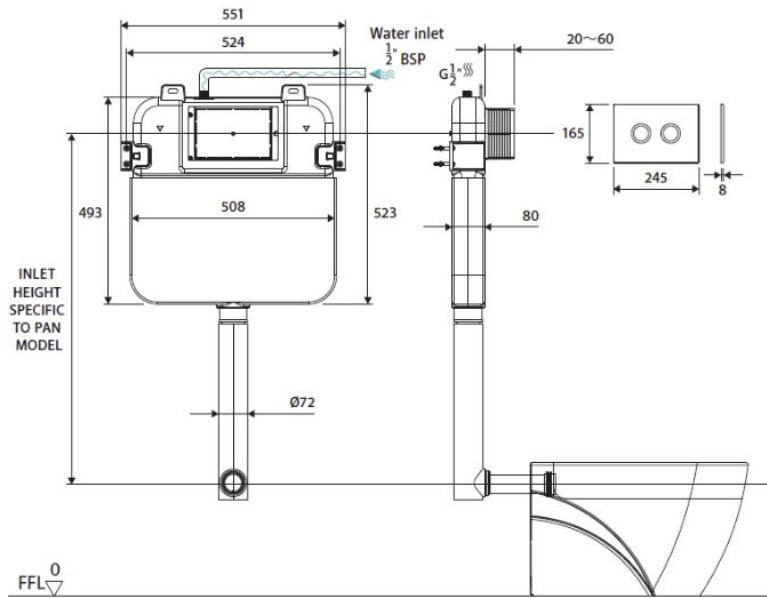


Gentec products come with a Manufacturer's Warranty. To ensure the validity of this warranty, Gentec products must be installed following the provided installation instructions and adhering to AS 3500, NCC Volume Three, relevant Australian Standards, and any local authority requirements applicable to the product. Additionally, water and electrical supply conditions must meet the appropriate national and/or state standards. Non-compliance with these provisions may impact product performance and void the warranty.

Technical Drawings



All measurements are in millimetres and should be used as a guide only.



Disclaimer: Stainless Steel Grades 304 & 316 are manufactured with ZERO* Lead.



A: Unit 6, 20 - 28 Ricketty St, Mascot, NSW 2020
 P: +612 9319 4422
 F: +612 8088 7635
 E: info@gentecaustralia.com.au



Note: The information provided is only a guide, actual product may differ. The information here should not be relied on without clarification with Gentec. Gentec reserves the right to make design changes at any time without notification.

Subject to terms and conditions. For detailed warranty information, installation compliance, maintenance and cleaning guidelines, and other relevant details, please visit <https://gentecaustralia.com.au>