

SMARTEC - Electronic Sensor Kit

STS3000B

Zero Lead Stainless Steel 304 Wall Mounted Electronic Sensor Kit w/ DZR Brass Spout Infrared Sensor Proprietary Battery Powered



6 Star star 6.0 lpm
(Nominal Flow : 6 lpm)

Product Features



- Viscosity Level Between 1-3500m Pa.s (cP)
Suggested: 1800Pa.s (cP)
- Extension leads available for both power and sensor
- IP67 rated control box houses the solenoid valve and waterproof connections

Technical Information



Materials	Zero Lead Stainless Steel 304
Cartridge	Solenoid Valve
Cartridge Size	15mm
Run Time	15 seconds Wave on / Wave off
Inlet	15mm Male
Flow Style	Aerated Flow
Working Pressures	50kPa-500kPa
Recommended Working Pressures	350kPa
Working Temperatures	5°C - 50°C
Finish / Colour	Brushed
Warranty	2 Years (Base Warranty)

Product Certifications



WELS: T17975



A: Unit 6, 20 - 28 Ricketty St, Mascot, NSW 2020
P: +612 9319 4422
F: +612 8088 7635
E: info@gentecaustralia.com.au



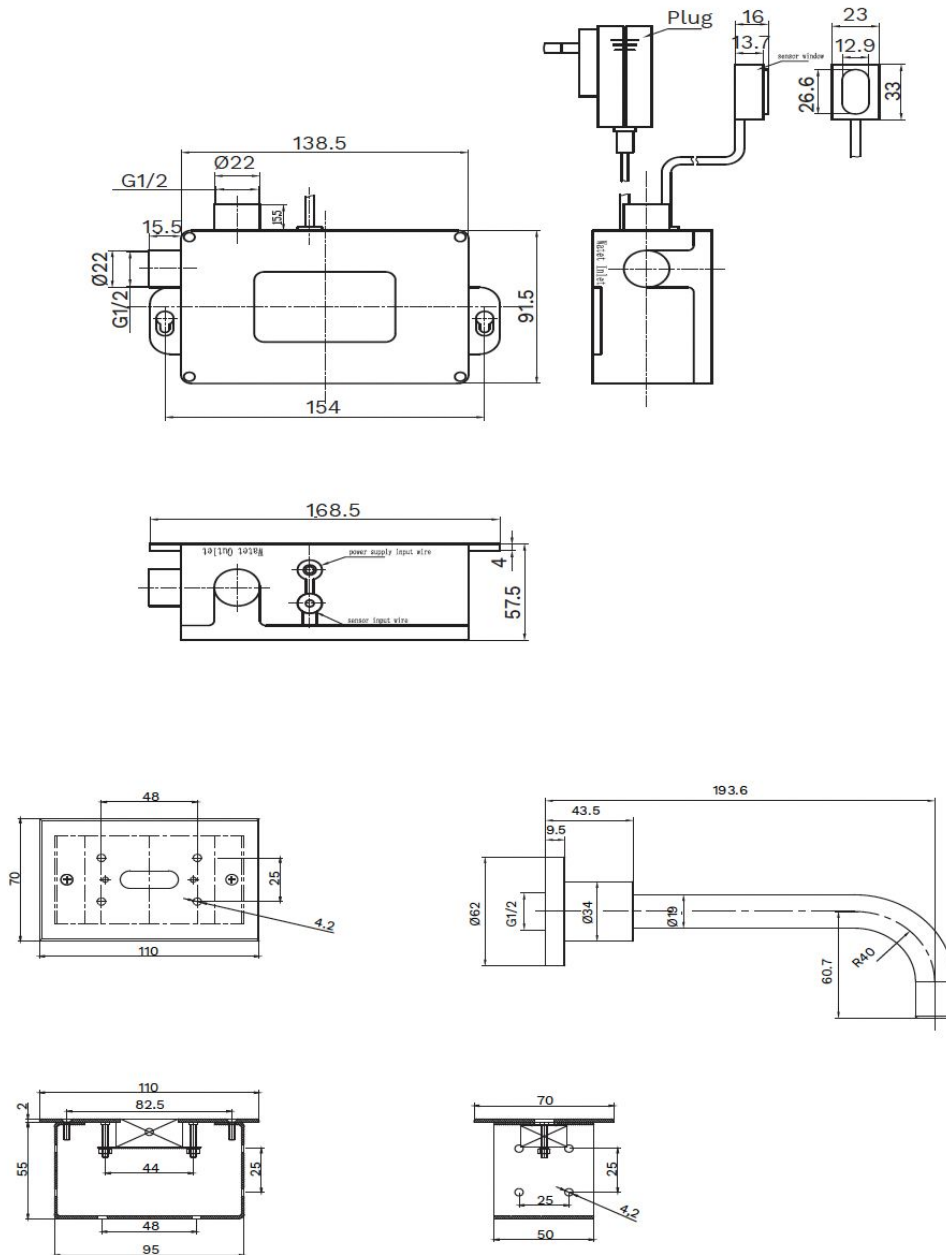
Gentec products come with a Manufacturer's Warranty. To ensure the validity of this warranty, Gentec products must be installed following the provided installation instructions and adhering to AS 3500, NCC Volume Three, relevant Australian Standards, and any local authority requirements applicable to the product. Additionally, water and electrical supply conditions must meet the appropriate national and/or state standards. Non-compliance with these provisions may impact product performance and void the warranty.

Technical Drawings



All measurements are in millimetres and should be used as a guide only.

Control Box



Disclaimer: Stainless Steel Grades 304 & 316 are manufactured with ZERO* Lead.



A: Unit 6, 20 - 28 Ricketty St, Mascot, NSW 2020

P: +612 9319 4422

F: +612 8088 7635

E: info@gentecaustralia.com.au



Note: The information provided is only a guide, actual product may differ. The information here should not be relied on without clarification with Gentec. Gentec reserves the right to make design changes at any time without notification.

Subject to terms and conditions. For detailed warranty information, installation compliance, maintenance and cleaning guidelines, and other relevant details, please visit <https://gentecaustralia.com.au>