

NUGEN-Sink Mixer

NGMLF3500D

Lead Free DZR Brass Hob Mounted Low Line Swivel Spout Sink Mixer w/ Yellow and Blue Printed Care Handle

4 Star 7.5 lpm
(Nominal Flow : 6.2 lpm)



Product Features



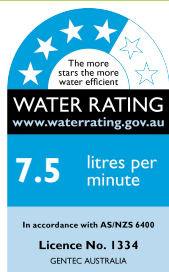
- Lead Free
- Smooth close operation
- Supplied with a cold start cartridge which saves energy by preventing warm water being drawn while the handle is in the neutral position
- Supplied with PEX inlet hoses
- Handles with Red, yellow & blue colour indicators available on request
- NGMLF3500D-4 has 6 Star - 4 lpm
- NGMLF3500D-6 has 5 Star - 6 lpm

Technical Information



Materials	Lead Free DZR Brass
Cartridge	Ceramic Disc (Kerox) - Cold Start
Cartridge Size	35mm
Inlet	15mm Female Flexible Connections
Flow Style	Laminar Flow
Working Pressures	150kPa-500kPa
Recommended Working Pressures	350kPa
Working Temperatures	5°C - 80°C
Finish / Colour	Chrome Plated
Warranty	5 Years (Base Warranty)

Product Certifications



WELS: T43321



A: Unit 6, 20 - 28 Ricketty St, Mascot, NSW 2020
P: +612 9319 4422
F: +612 8088 7635
E: info@gentecaustralia.com.au

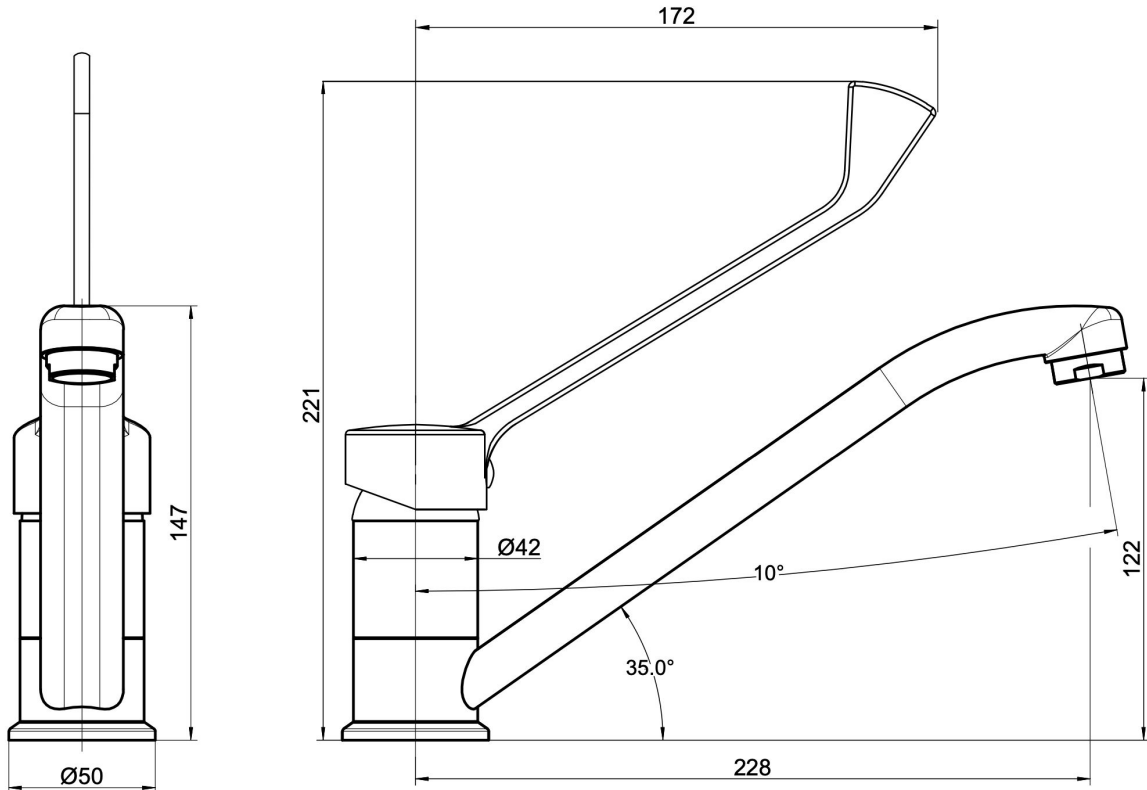


Gentec products come with a Manufacturer's Warranty. To ensure the validity of this warranty, Gentec products must be installed following the provided installation instructions and adhering to AS 3500, NCC Volume Three, relevant Australian Standards, and any local authority requirements applicable to the product. Additionally, water and electrical supply conditions must meet the appropriate national and/or state standards. Non-compliance with these provisions may impact product performance and void the warranty.

Technical Drawings



All measurements are in millimetres and should be used as a guide only.



Disclaimer: Stainless Steel Grades 304 & 316 are manufactured with ZERO* Lead.



A: Unit 6, 20 - 28 Ricketty St, Mascot, NSW 2020
P: +612 9319 4422
F: +612 8088 7635
E: info@gentecaustralia.com.au



Note: The information provided is only a guide, actual product may differ. The information here should not be relied on without clarification with Gentec. Gentec reserves the right to make design changes at any time without notification.

Subject to terms and conditions. For detailed warranty information, installation compliance, maintenance and cleaning guidelines, and other relevant details, please visit <https://gentecaustralia.com.au>