

## GPURE® FLOSTOP - Bottle Filler



# GPT8100

## Zero Lead Stainless Steel 316 Wall Mounted Single Temperature Timed Flow, Gooseneck Spout Bottle Filler

6 Star 3.0 lpm  
(Nominal Flow : 2.62 lpm)

### Product Features



- Lead Free
- Soft-close, hydraulically operated time flow means that it's suitable for all markets
- Designed to be durable and anti-vandal. Suitable for use in public areas
- One service kit used across the Gpure Timeflow range for easy maintenance
- Supplied with inlet strainer and flow controller
- Flow adjustable post installation
- Run time is easily changeable post installation
- Red, Yellow & Blue button indicators supplied
- Product customisation available
- Recommended for commercial and public projects

### Product Certifications



WELS: TM42363

### Technical Information



Materials	Zero Lead Stainless Steel 316
Cartridge	Timed Flow (Hydraulic)
Cartridge Size	15mm
Run Time	0-20 (+/-5) seconds (Adjustable)
Inlet	15mm
Flow Style	Free Flow
Working Pressures	150kPa-500kPa
Recommended Working Pressures	350kPa
Working Temperatures	5°C - 50°C
Finish / Colour	Brushed
Warranty	5 Years (Base Warranty)



A: Unit 6, 20 - 28 Ricketty St, Mascot, NSW 2020  
P: +612 9319 4422  
F: +612 8088 7635  
E: info@gentecaustralia.com.au

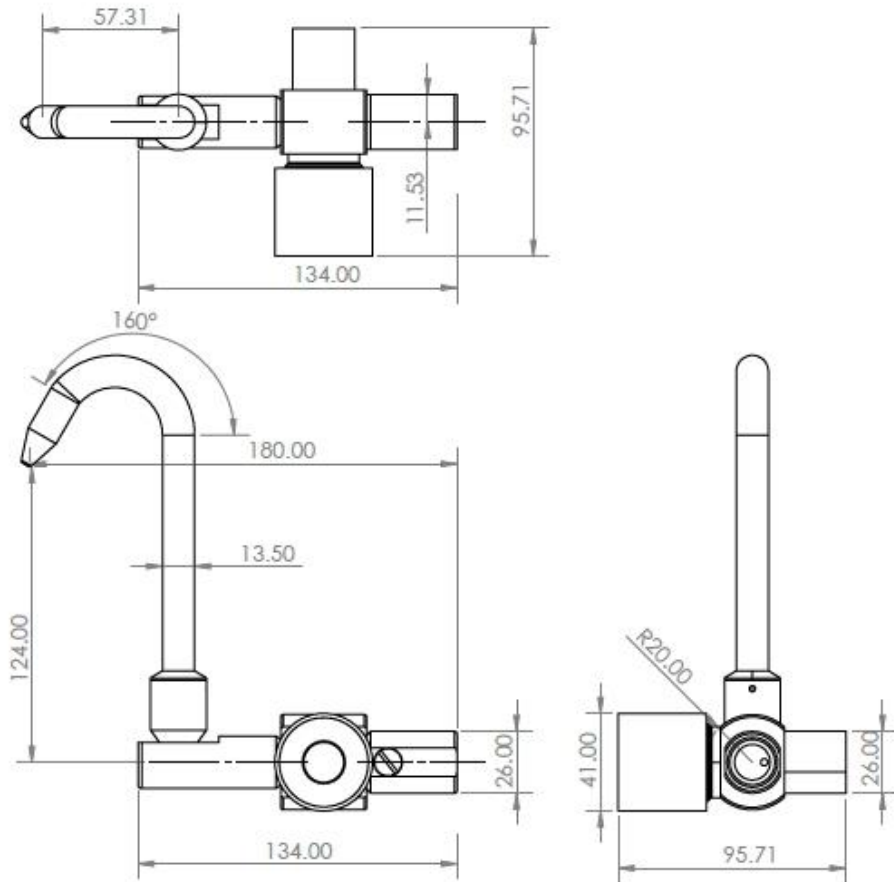


Gentec products come with a Manufacturer's Warranty. To ensure the validity of this warranty, Gentec products must be installed following the provided installation instructions and adhering to AS 3500, NCC Volume Three, relevant Australian Standards, and any local authority requirements applicable to the product. Additionally, water and electrical supply conditions must meet the appropriate national and/or state standards. Non-compliance with these provisions may impact product performance and void the warranty.

# Technical Drawings



All measurements are in millimetres and should be used as a guide only.



Disclaimer: Stainless Steel Grades 304 & 316 are manufactured with ZERO\* Lead.



A: Unit 6, 20 - 28 Ricketty St, Mascot, NSW 2020  
P: +612 9319 4422  
F: +612 8088 7635  
E: [info@gentecaustralia.com.au](mailto:info@gentecaustralia.com.au)



Note: The information provided is only a guide, actual product may differ. The information here should not be relied on without clarification with Gentec. Gentec reserves the right to make design changes at any time without notification.

Subject to terms and conditions. For detailed warranty information, installation compliance, maintenance and cleaning guidelines, and other relevant details, please visit <https://gentecaustralia.com.au>