



JETFLO-Pre-Rinse Unit

JETF7000

DZR Brass Wall Mounted Pre-Rinse Unit w/ Spray Gun. 1m hose and Cistern Tap

6 Star 4.5 lpm
(Nominal Flow : 3.55 lpm)

Product Features



- Trigger spray is 6 Star 3lpm
- Jet spray in the trigger spray is created with a stainless-steel blade that retains its shape for longer and provides an easier clean with less water use
- The soft, easy-clean hose provides flexibility and makes using the trigger spray easier
- Soft spring for easy operation
- The cold start cartridge prevents hot water from being drawn while the tap is still in the neutral position. No hot water or energy is used until the handle is turned towards the left
- Adjustable wall bracket (up to 250mm)
- Double-check valve
- Aerator nozzle outlet available for trigger spray
- Recommended for Commercial Kitchens

Product Certifications



Technical Information



Materials	DZR Brass
Cartridge	Self closing / Ceramic Disc
Cartridge Size	15mm
Inlet	15mm Male
Flow Style	Blade Spray / Aerated Flow
Working Pressures	150kPa-500kPa
Recommended Working Pressures	350kPa
Working Temperatures	5°C - 80°C
Finish / Colour	Chrome Plated
Warranty	2 Years (Base Warranty)



A: Unit 6, 20 - 28 Ricketty St, Mascot, NSW 2020
P: +612 9319 4422
F: +612 8088 7635
E: info@gentecaustralia.com.au

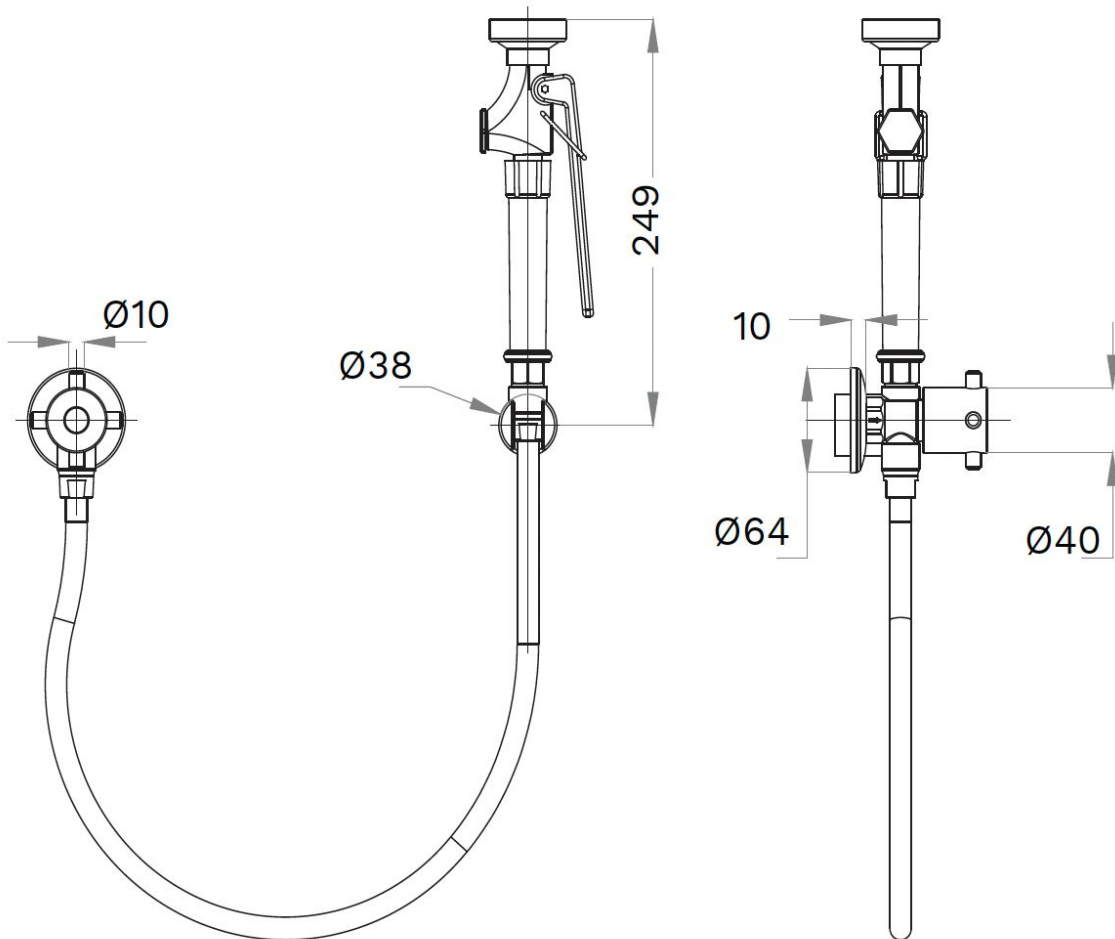


Gentec products come with a Manufacturer's Warranty. To ensure the validity of this warranty, Gentec products must be installed following the provided installation instructions and adhering to AS 3500, NCC Volume Three, relevant Australian Standards, and any local authority requirements applicable to the product. Additionally, water and electrical supply conditions must meet the appropriate national and/or state standards. Non-compliance with these provisions may impact product performance and void the warranty.

Technical Drawings



All measurements are in millimetres and should be used as a guide only.



Disclaimer: Stainless Steel Grades 304 & 316 are manufactured with ZERO* Lead.



A: Unit 6, 20 - 28 Ricketty St, Mascot, NSW 2020
P: +612 9319 4422
F: +612 8088 7635
E: info@gentecaustralia.com.au



Note: The information provided is only a guide, actual product may differ. The information here should not be relied on without clarification with Gentec. Gentec reserves the right to make design changes at any time without notification.

Subject to terms and conditions. For detailed warranty information, installation compliance, maintenance and cleaning guidelines, and other relevant details, please visit <https://gentecaustralia.com.au>