



FLOSTOP - Bubbler

TFT8020

DZR Brass Hob Mounted Remote Single Temperature Timed Flow Bubbler w/ Safety Bubbler Guard

6 Star 3.5 lpm
(Nominal Flow : 3.1 lpm)

Product Features



- Soft-close, hydraulically operated time flow means that it's suitable for all markets
- Designed to be durable and anti-vandal. Suitable for use in public areas
- One service kit used across the Flostop range for easy maintenance
- Supplied with inlet strainer
- Product customisation available
- Recommended for commercial and public projects

Technical Information



| | |
|-------------------------------|----------------------------------|
| Materials | DZR Brass |
| Cartridge | Timed Flow (Hydraulic) |
| Cartridge Size | 15mm |
| Run Time | 0-20 (+/-5) seconds (Adjustable) |
| Inlet | 15mm Male |
| Flow Style | Free Flow |
| Working Pressures | 150kPa-500kPa |
| Recommended Working Pressures | 350kPa |
| Working Temperatures | 5°C - 50°C |
| Finish / Colour | Chrome Plated |
| Warranty | 5 Years (Base Warranty) |

Product Certifications



WELS: Discontinue



A: Unit 6, 20 - 28 Ricketty St, Mascot, NSW 2020
P: +612 9319 4422
F: +612 8088 7635
E: info@gentecaustralia.com.au

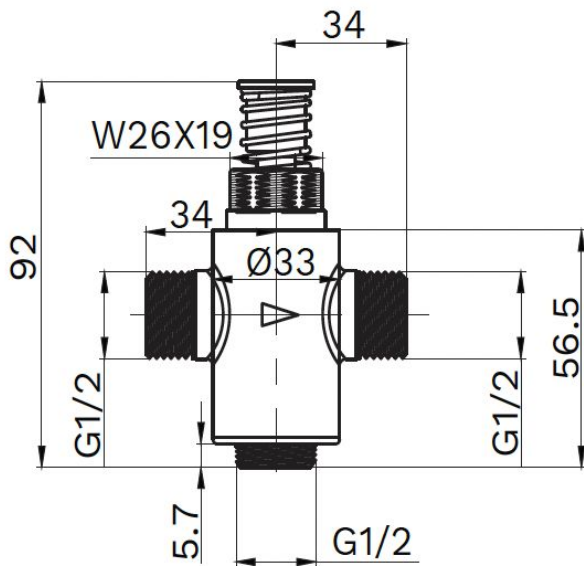
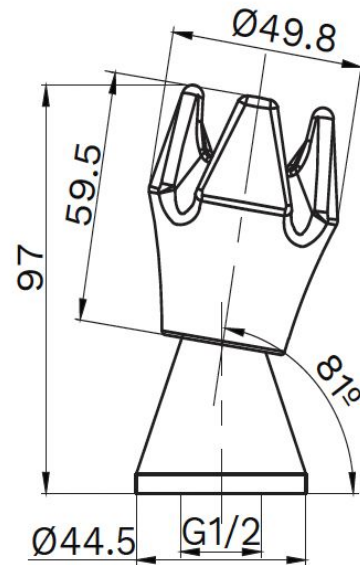
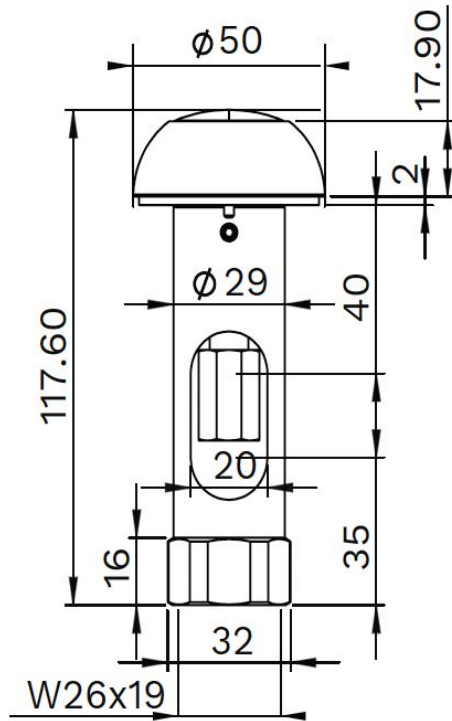


Gentec products come with a Manufacturer's Warranty. To ensure the validity of this warranty, Gentec products must be installed following the provided installation instructions and adhering to AS 3500, NCC Volume Three, relevant Australian Standards, and any local authority requirements applicable to the product. Additionally, water and electrical supply conditions must meet the appropriate national and/or state standards. Non-compliance with these provisions may impact product performance and void the warranty.

Technical Drawings



All measurements are in millimetres and should be used as a guide only.



Disclaimer: Stainless Steel Grades 304 & 316 are manufactured with ZERO* Lead.



A: Unit 6, 20 - 28 Ricketty St, Mascot, NSW 2020
P: +612 9319 4422
F: +612 8088 7635
E: info@gentecaustralia.com.au



Note: The information provided is only a guide, actual product may differ. The information here should not be relied on without clarification with Gentec. Gentec reserves the right to make design changes at any time without notification.

Subject to terms and conditions. For detailed warranty information, installation compliance, maintenance and cleaning guidelines, and other relevant details, please visit <https://gentecaustralia.com.au>