

A

B

C

D

E

F

1

1

2

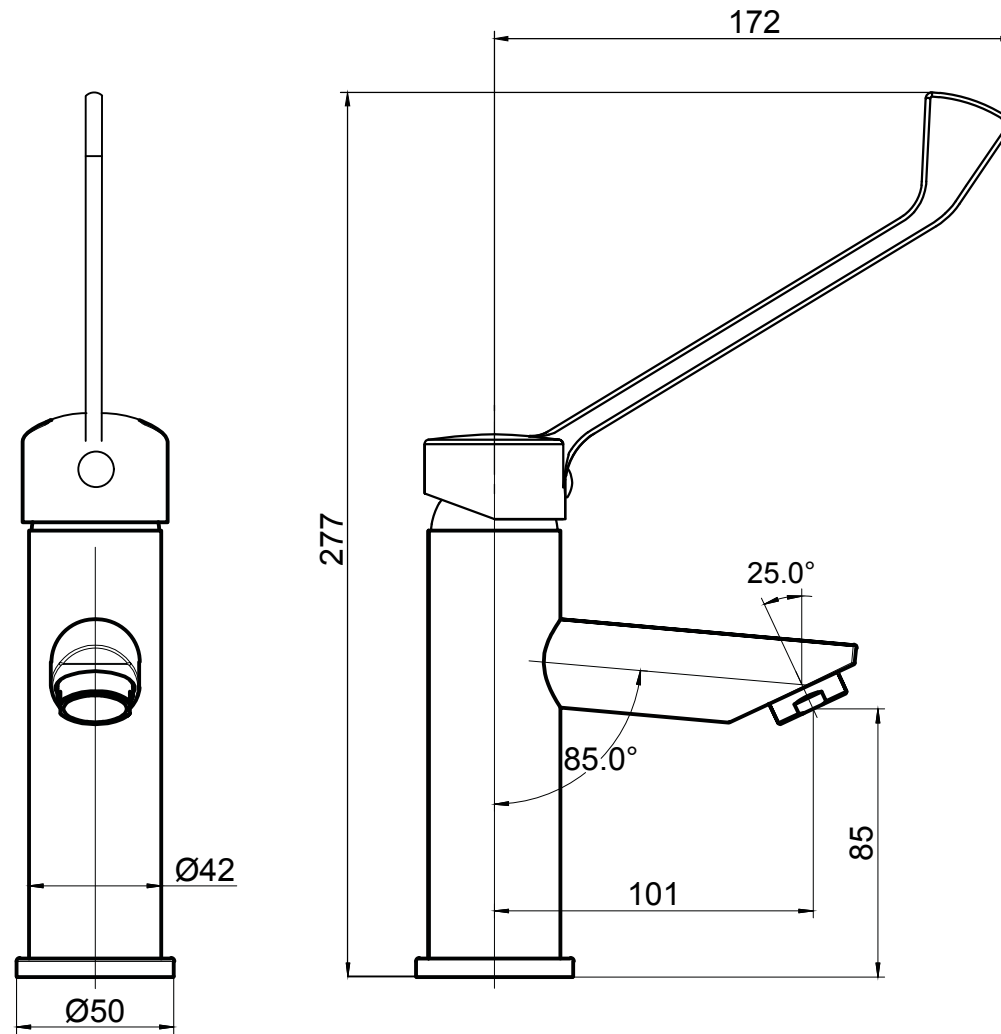
2

3

3

4

4



6, 20 -28 Ricketty St
Mascot, NSW 2020

www.gentecaustralia.com.au
info@gentecaustralia.com.au

PRODUCT CODE AND DESCRIPTION:

**NGMLF2000 - Lead Free Brass Hob Mounted
Basin Mixer with Care Handle**

*This drawing is the property of
Gentec Australia Pty Ltd*

PRODUCT RANGE:
NUGEN



SIZE:
A4

*All dimensions are in mm unless specified
and are to be used as a guide only*

MATERIAL: **LF Brass**

SCALE:

FINISH: **Chrome Plated**

REVISIONS

REV.	DATE	DESCRIPTION

LAST UPDATE
23 May 24

APPROVED BY
S.C

A

B

C

D

E

F