

A

B

C

D

E

F

1

1

2

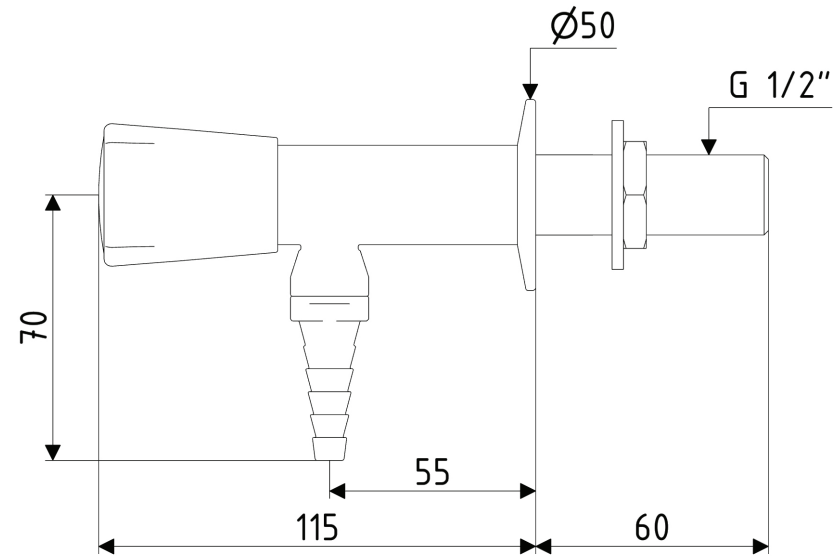
2

3


3

4

4



All dimensions are in mm unless specified.

 <p>6, 20 -28 Ricketty St Mascot, NSW 2020 • www.gentecaustralia.com.au • info@gentecaustralia.com.au</p>		<b>PRODUCT CODE AND DESCRIPTION</b> <b>DURA6751</b> Wall Mounted Laboratory Angle Tap with Detachable Tube Nozzle- Compressed Air.		
		This drawing is property of Gentec Australia Pty Ltd MAR-LD-DURA01-MB-090320	PRODUCT RANGE Duralab	SCALE 1 : 2
LAST UPDATE <b>09/03/20</b>	APPROVED BY Steven Penson			

A

B

C

D

E

F