

A

B

C

D

E

F

1

1

2

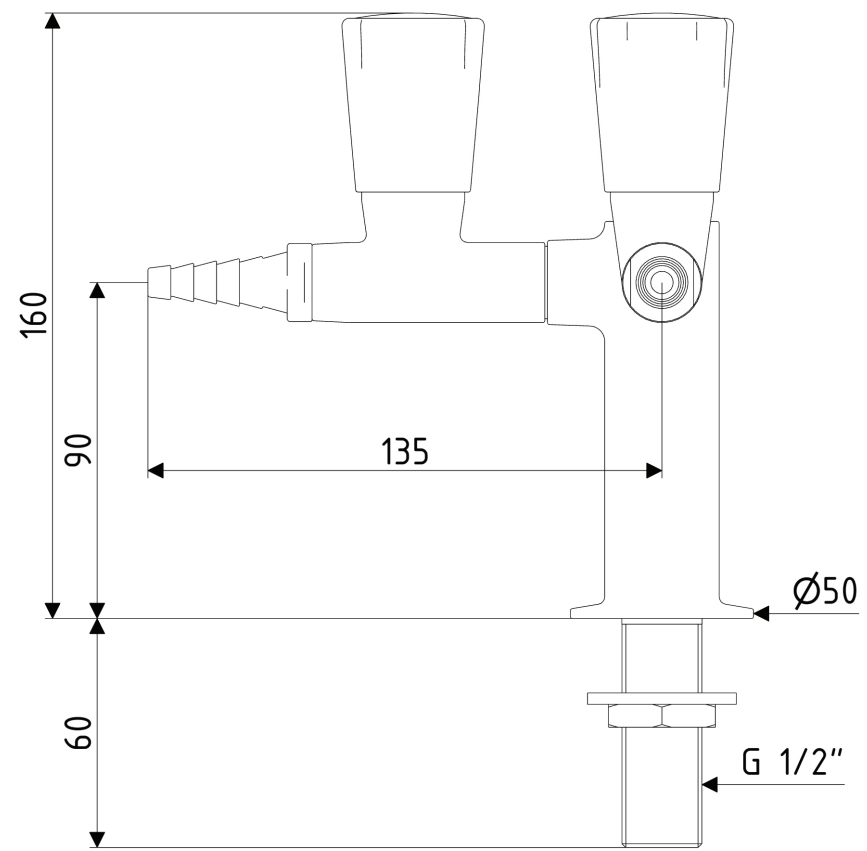
2

3

3

4

4



All dimensions are in mm unless specified.

 **GENTEC**
 6, 20 -28 Ricketty St Mascot, NSW 2020 • www.gentecaustralia.com.au • info@gentecaustralia.com.au

PRODUCT CODE AND DESCRIPTION
DURA303
 Two Way Hob Mounted Laboratory Tap at 90° with Fixed Tube Nozzles - Gas.

LAST UPDATE
09/03/20

This drawing is property of Gentec Australia Pty Ltd
 MAR-LD-DURA01-MB-090320

PRODUCT RANGE
Duralab
 SCALE **1 : 2**

A4

A

B

C

D

E

F