



GPURE® JETFLO-Pre-Rinse Unit

GPJ1500

Stainless Steel 304 Deck Mounted Pre-Rinse Unit w/ Pot Filler and Dual Handle Mixer

4.0 lpm
(Nominal Flow : 3.96 lpm)

Product Features



- Lead Free
- Soft Close Operation
- One cartridge used across the Gpure Jetflo range for easy maintenance
- The soft, easy-to-clean hose provides flexibility and ease-of-use
- Soft spring for easy operation
- Double Check Valve
- (SS316) PEX inlet hoses
- Durable Zero Lead Stainless Steel blade spray for convenient cleaning
- Product customisation available
- Recommended for commercial kitchens

Technical Information



Materials	Stainless Steel 304
Cartridge	Self closing / Stainless Steel
Cartridge Size	15mm
Inlet	15mm Female
Flow Style	Blade Spray / Laminar Flow
Working Pressures	150kPa-500kPa
Recommended Working Pressures	350kPa
Working Temperatures	5°C - 80°C
Finish / Colour	Brushed
Warranty	5 Years (Base Warranty)

Product Certifications



litres per minute



Lead Free

AS/NZS 3718:2005
License No. WM 74827
ApprovalMark

Second outlet
5.5 litres per minute

WELS: TM42362



A: Unit 6, 20 - 28 Ricketty St, Mascot, NSW 2020
P: +612 9319 4422
F: +612 8088 7635
E: info@gentecaustralia.com.au

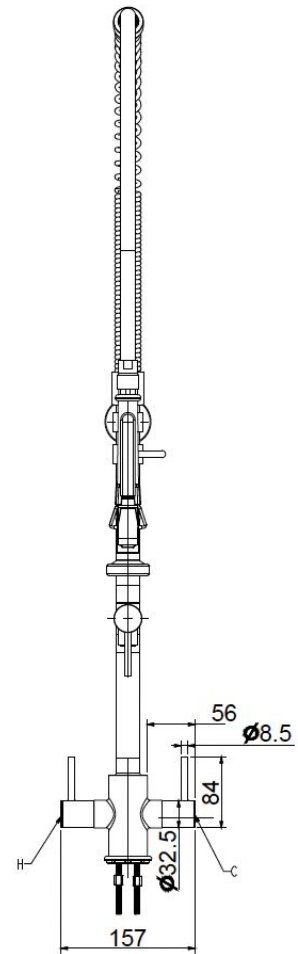
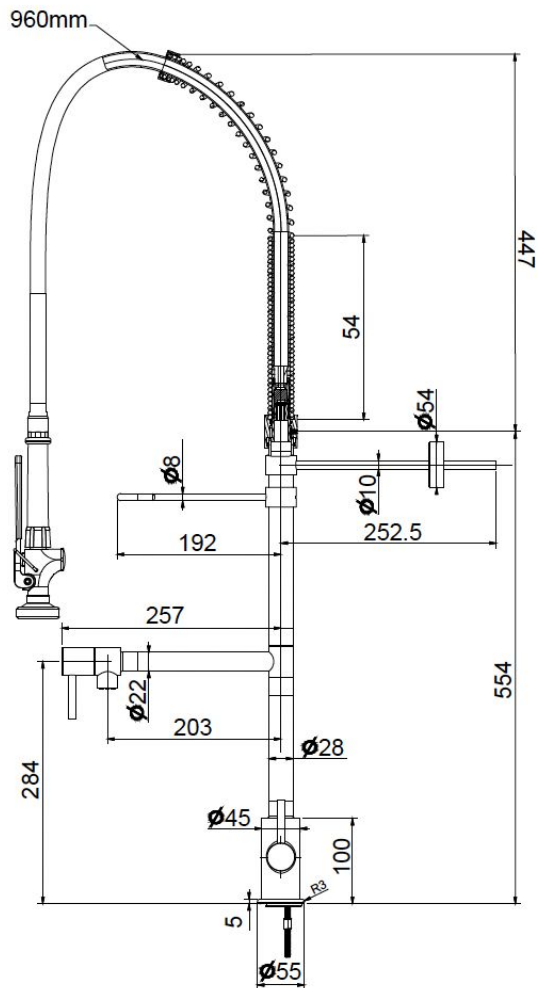


Gentec products come with a Manufacturer's Warranty. To ensure the validity of this warranty, Gentec products must be installed following the provided installation instructions and adhering to AS 3500, NCC Volume Three, relevant Australian Standards, and any local authority requirements applicable to the product. Additionally, water and electrical supply conditions must meet the appropriate national and/or state standards. Non-compliance with these provisions may impact product performance and void the warranty.

Technical Drawings



All measurements are in millimetres and should be used as a guide only.



Disclaimer: Stainless Steel Grades 304 & 316 are manufactured with ZERO* Lead.



A: Unit 6, 20 - 28 Ricketty St, Mascot, NSW 2020
 P: +612 9319 4422
 F: +612 8088 7635
 E: info@gentecaustralia.com.au



Note: The information provided is only a guide, actual product may differ. The information here should not be relied on without clarification with Gentec. Gentec reserves the right to make design changes at any time without notification.

Subject to terms and conditions. For detailed warranty information, installation compliance, maintenance and cleaning guidelines, and other relevant details, please visit <https://gentecaustralia.com.au>