

To complete this form: ① Fill out the form fields. ② Save the file to your computer (to make it easy to find save it to your desktop folder). ③ Email the file back to your TriStar contact. For best results, use [Adobe Reader](#).

Red border = Required.

General Information

Company

Date

Contact

TriStar Contact

Address

Phone

Email

Application

Qty.

Technical Specifications

Ⓐ	d	min	max	in	mm	D	min	max	in	mm	D _k	in	mm
	C	min max in mm				B	min max in mm						
	R ₁	in mm		R ₂	in mm		a	in mm					

Mating Plate Finish

Mating Material and Hardness

Temp of Operating Environment

Min	Max	°F	°C
-----	-----	----	----

What is being used now?

Load

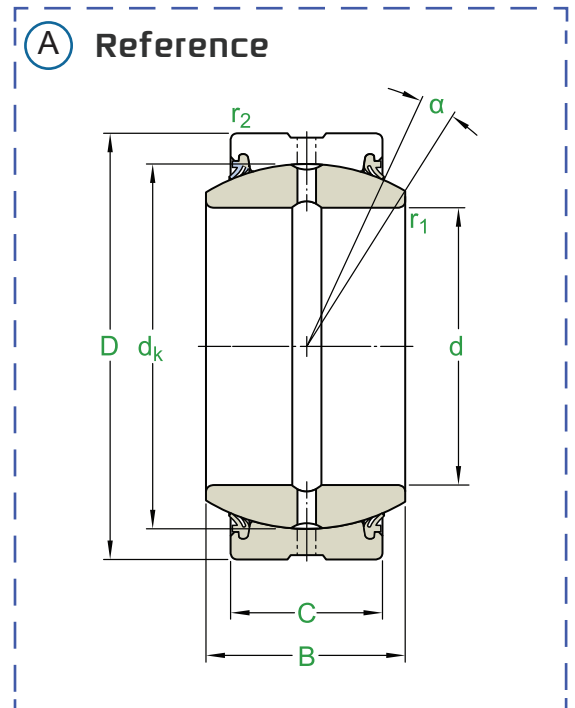
lbf	N
-----	---

Speed

RPM

Questions

- If the bearing is linear, what is the length of stroke and the cycles per minute?
- What is the primary load factor: radial or axial or both?
- Does the bearing experience shock or excessive vibration?
- If the bearing is oscillating, what is the angle of rotation, cycles per minute, and dwell time?
- Are the temperature variations (if any) gradual or rapid?
- Type of Media: air, gas, or liquid? Intermittent or Constant?
- Is the environment abrasive in nature?
- Does the environment call for electrical: dissipation or insulation?
- Does the environment call for thermal: insulation or transfer?
- Does the application require: FDA, NSF, USDA, 3A or USP?
- Is the shaft/slide running: vertically, horizontally, or diagonally?
- Is shaft/slide misalignment anticipated?
- Are there special shaft treatments: hardcoat, ENP, chrome, TFE?
- Notes about the hardware (housing material, etc.):



Chemicals in contact with the bearing

Flammability rating required for this application? If yes, which one?