

Application Case Story

Meldin® 7000 Series

APPLICATION:

Packaging Process Line

MATERIAL:

Meldin® 7001

PART DEFINITION:

Cap Holder

TECHNICAL DATA:

TYPICAL DIMENSIONS:

2.52" ID x 2.52" OD x .12" Length
(64mm x 64mm x 3mm)

COUNTERFACE: Plastic

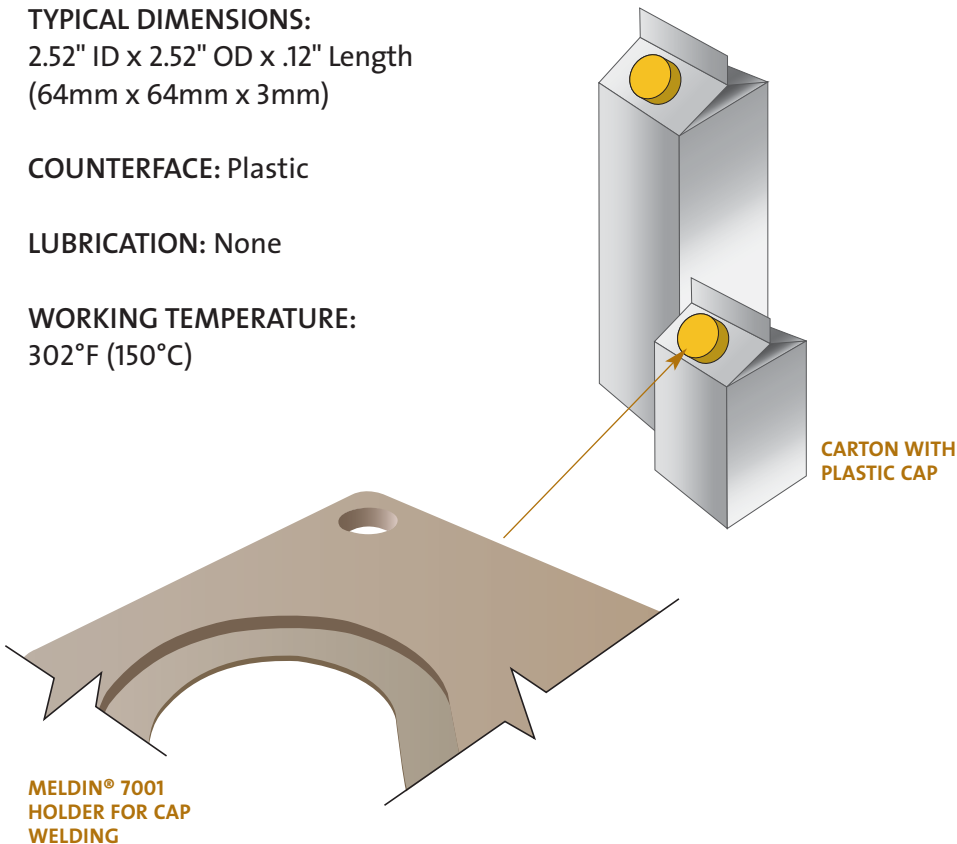
LUBRICATION: None

WORKING TEMPERATURE:

302°F (150°C)

FEATURES / BENEFITS:

In a process line that produces beverage packaging with plastic caps, **Meldin® 7001** machined holders position the plastic cap during the hot welding process. **Meldin® 7001** offers high heat resistance and purity, which makes it ideal for this application.



**MELDIN® 7001
HOLDER FOR CAP
WELDING**

Saint-Gobain Performance Plastics

North America: 1-800-223-4966 Bristol, RI, USA

Europe: +32 3 458 28 28 Kontich, Belgium

Asia: +81 33 26 30 285 Tokyo, Japan

Email: sgppl.marketing@saint-gobain.com

Website: www.rulon-meldin.com

ACS-439-PDF-0405-SGCS

Meldin® is a registered trademark.
©2005 Saint-Gobain Performance Plastics

TriStar

Engineered Plastic Solutions™

Exclusive North American Distributor

1.800.874.7827 | www.tstar.com


SAINT-GOBAIN
PERFORMANCE PLASTICS

