

# Rulon<sup>®</sup> LR Excels in Rough & Tumble Blender Application

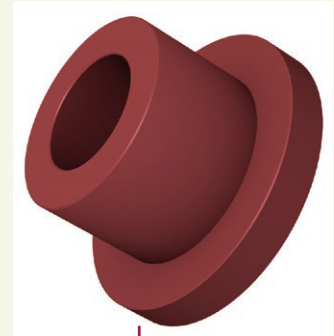


*This industrial blender application presented unique challenges. The blender is used to incorporate pumice to a hand soap mixture. Occasionally, the pumice infiltrates the bearing area, exacerbating wear.*

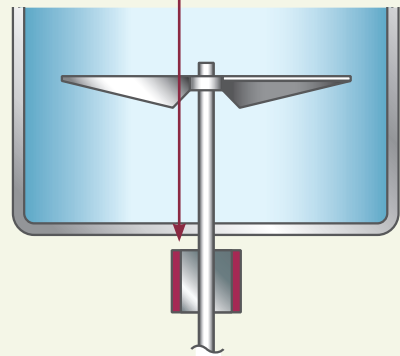
*Rulon LR was selected for this application because of its lubricity and ability to withstand abrasion.*

*The Rulon LR bushing rides on a stainless steel expendable sleeve that is pressed onto a smaller diameter shaft. When the sleeve wears excessively, it and the bushing are replaced.*

■ A partnership with TriStar gives you a competitive edge.



*Rulon LR Bushing*



*High Speed Industrial Blender*

## **Technical Data**

- **Part Definition:** Bushing
- **Typical dimensions:** .563" ID [14mm]
- **Speed:** 1400' [427m]/minute
- **Counterface:** Stainless Steel Sleeve
- **Lubrication:** Water and Soap
- **Working Temperature:** Room Temperature

**SAINT-GOBAIN**

We're ready to put our engineering expertise to work for you from prototype to production.

Engineering | Custom Fabrication | Manufacturing



## CJ Composite

- Self-Lubricating
- Low weight | High Strength
- Chemical Resistance
- Direct replacement for Bronze



## Ultracomp<sup>®</sup>

- Self-Lubricating
- High Load | Low Speed
- 54,400 PSI Compressive Strength
- Exceptional Resistance to Vibration and Impact



## TriSteel<sup>™</sup>

- Self-Lubricating
- High Load | High Speed
- Metal Backed Bearing System
- 100% Lead Free



## Rulon<sup>®</sup>

- Self-Lubricating
- Low weight | High Strength
- Low Coefficient of Friction
- Chemically Resistant



## Enhanced Materials Division

- Plasma Surface Treatment
- Specialized Primers & Coatings
- Material ID & Selection
- Process Engineering | Analysis & Testing



TriStar



Engineered Plastic Solutions<sup>™</sup>

tstar.com



1.800.874.7827